

PARTS CATALOGUE



SCOOTERS

SG20AB(IN)

EASY 100



Release Date : 2009/11/23
Print Date : 2010/09/25

ABOUT THIS PARTS LIST

- This parts list is compiled all service parts for model SG20AB(IN).
- Any difference between color chart and motorcycle will be revised according to motorcycle.
- The Mark:
 1. Marking "***" must add color code in the end before ordering parts.
 2. Marking "#" are parts with modification, Please find the details from e-Parts system.
- When modification or additions to this parts list are made a revised edition at an appropriate time.

CONTENTS

● ABOUT THIS PARTS LIST	1
● COLOR CHART OF SG20AB(IN)	3
● CONTENTS-ENGINE GROUP	7
● CONTENTS-FRAME GROUP	8
● ENGINE PARTS LIST	11
● FRAME PARTS LIST	43
● PART NO. INDEX	103

NO	MODEL			COLOR CHART OF SG20AB(IN)			
	PHOTO NO			NO. 1	NO. 2	NO. 3	NO. 4
	BASIC COLOR			Blue Metallic	Crystal Blue	Green Metallic	Bright Silver
	CODE			Blue Metallic	Crystal Blue	Green Metallic	Bright Silver
	PARTS NAME	PARTS NO.	VERSION	PB023MA	PB041MA	GG315MA	NH045MAA
1	COVER FR HANDLE	53205-KHC3-900	1	B4P	B5P	GSP	N8P
2	FENDER FR INNER	61110-KFA2-900	1				
3	COVER SET FRONT	64301-KHC3-B00	0				
4	COVER SET R BODY	83500-KHC4-900	0				
5	COVER SET L BODY	83600-KHC3-900	0				
6	COVER HANDLE RR	53206-KHC4-900	2	H5R			
7	COVER FR INNER UP	81131-KHC4-900	2				
8	FENDER FR DOWN	61120-KFA2-900	0				
9	FRONT MOLD	64302-KHC3-900	1				
10	SIDE MOLD R	83501-KHC4-900	2				
11	SIDE MOLD L	83601-KHC4-900	2	N1A			
12	LEVER R STRG HANDLE	53175-KHC3-900	0				
13	LEVER L STRG HANDLE	53178-KHC4-900	0				
14	GRIP RR	81200-KHC3-B51	2	N1P			
15	PROTECTOR MUFFLER	18318-KHC4-B00	0	N1R			
16	BOX BATTERY	50325-KHC4-900	4				
17	COVER UNDER	50613-KHC4-900	3				
18	GRIP COMP THROT	53140-KHC4-900	1				
19	GRIP L HANDLE	53166-KFA1-900	2				
20	PANEL FLOOR	64310-KHC4-900	0				
21	PLUG FLOOR	64316-KHC4-900	1				
22	FENDER RR TIRE	80100-KHC4-800	1				
23	COVER CENTER	80151-KHC4-900	1				
24	HOOK LUGGAGE	81132-GHAH-001	2				
25	COVER FR INNER LOW	81141-KHC4-900	5				
DATE OF STARTING-SALES							
DATE OF END-SALES							

NO	MODEL			COLOR CHART OF SG20AB(IN)			
	PHOTO NO			NO. 5			
	BASIC COLOR			Ruby Red			
	CODE			Ruby Red			
	PARTS NAME	PARTS NO.	VERSION	RR004CA			
1	COVER FR HANDLE	53205-KHC3-900	1	R1P			
2	FENDER FR INNER	61110-KFA2-900	1				
3	COVER SET FRONT	64301-KHC3-B00	0				
4	COVER SET R BODY	83500-KHC4-900	0				
5	COVER SET L BODY	83600-KHC3-900	0				
6	COVER HANDLE RR	53206-KHC4-900	2	H5R			
7	COVER FR INNER UP	81131-KHC4-900	2	N1R			
8	FENDER FR DOWN	61120-KFA2-900	0				
9	FRONT MOLD	64302-KHC3-900	1				
10	SIDE MOLD R	83501-KHC4-900	2				
11	SIDE MOLD L	83601-KHC4-900	2				
12	LEVER R STRG HANDLE	53175-KHC3-900	0	N1A			
13	LEVER L STRG HANDLE	53178-KHC4-900	0	N1P			
14	GRIP RR	81200-KHC3-B51	2				
15	PROTECTOR MUFFLER	18318-KHC4-B00	0				
16	BOX BATTERY	50325-KHC4-900	4				
17	COVER UNDER	50613-KHC4-900	3				
18	GRIP COMP THROT	53140-KHC4-900	1	N1R			
19	GRIP L HANDLE	53166-KFA1-900	2				
20	PANEL FLOOR	64310-KHC4-900	0				
21	PLUG FLOOR	64316-KHC4-900	1				
22	FENDER RR TIRE	80100-KHC4-800	1				
23	COVER CENTER	80151-KHC4-900	1				
24	HOOK LUGGAGE	81132-GHAH-001	2				
25	COVER FR INNER LOW	81141-KHC4-900	5				
DATE OF STARTING-SALES							
DATE OF END-SALES							

NO	MODEL			COLOR CHART OF SG20AB(IN)							
	PHOTO NO			NO. 1	NO. 2	NO. 3	NO. 4				
	BASIC COLOR			Blue Metallic	Crystal Blue	Green Metallic	Bright Silver				
	CODE			Blue Metallic	Crystal Blue	Green Metallic	Bright Silver				
	PARTS NAME	PARTS NO.	VERSION	PB023MA	PB041MA	GG315MA	NH045MAA				
26	LID LEG SHIELD	81142-KUDU-900	1	N1R							
27	HUB SUB COMP REAR	42610-GKAK-901	4	NJA							
28	HUB SUB ASSY FR	44610-GLW0-305	2								
29	PANEL SET FR BRK	45000-GLW0-305	0								
30	FORK SET R FR	51400-KHC3-900	1								
31	BOTTOM CASE R	51421-KCLC-900	0								
32	FORK SET L FR	5150A-KHC3-900	1								
33	BOTTOM CASE L	51521-KCLC-900	0								
34	RIM COMP WHEEL	42705-KHC4-900	5					NJS			
35	RIM COMP FR WHEEL	44705-KHC4-900	2								
36	COVER L SIDE	11341-KHC4-B00	1					NQA			
37	SEAT ASSY	77200-KHC4-B00	2	T01							
38	SEAT ASSY	77200-KHC4-B50	1								
39	EMB K-LOGO 20MM	86102-KFA2-900	6								
40	EMB B BODY COVER	86212-KHC3-B51	1								
41	STRIPE R BODY COVER	86221-KHC3-B00	0								
42	STRIPE L BODY COVER	86231-KHC3-B00	0								
43	LABEL TIRE	87505-KHC4-B00	1								
44	CAUTION SIDE STAND	87541-KED5-B00	0								
45	LABEL OIL CAP	87541-KHC4-B00	1								
46	MARK MAINT CAUTION	87542-KED5-B00	0								
47	MARK DRIVE CAUTION	87560-KUDU-B00	2	T0B T02 T03 T01							
48	STRIPE BODY COVER	86202-KHC4-900	0								
49	CUSHION ASSY RR	52400-KHC4-900	1	YAS							
DATE OF STARTING-SALES											
DATE OF END-SALES											

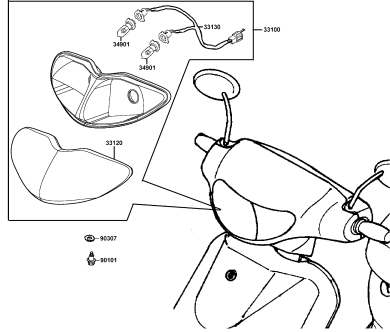
NO	MODEL			COLOR CHART OF SG20AB(IN)			
	PHOTO NO			NO. 5			
	BASIC COLOR			Ruby Red			
	CODE			Ruby Red			
	PARTS NAME	PARTS NO.	VERSION	RR004CA			
26	LID LEG SHIELD	81142-KUDU-900	1	N1R			
27	HUB SUB COMP REAR	42610-GKAK-901	4	NJA			
28	HUB SUB ASSY FR	44610-GLW0-305	2				
29	PANEL SET FR BRK	45000-GLW0-305	0				
30	FORK SET R FR	51400-KHC3-900	1				
31	BOTTOM CASE R	51421-KCLC-900	0				
32	FORK SET L FR	5150A-KHC3-900	1				
33	BOTTOM CASE L	51521-KCLC-900	0				
34	RIM COMP WHEEL	42705-KHC4-900	5	NJS			
35	RIM COMP FR WHEEL	44705-KHC4-900	2	T01			
36	COVER L SIDE	11341-KHC4-B00	1				
37	SEAT ASSY	77200-KHC4-B00	2				
38	SEAT ASSY	77200-KHC4-B50	1				
39	EMB K-LOGO 20MM	86102-KFA2-900	6				
40	EMB B BODY COVER	86212-KHC3-B51	1				
41	STRIPE R BODY COVER	86221-KHC3-B00	0				
42	STRIPE L BODY COVER	86231-KHC3-B00	0				
43	LABEL TIRE	87505-KHC4-B00	1				
44	CAUTION SIDE STAND	87541-KED5-B00	0				
45	LABEL OIL CAP	87541-KHC4-B00	1				
46	MARK MAINT CAUTION	87542-KED5-B00	0				
47	MARK DRIVE CAUTION	87560-KUDU-B00	2				
48	STRIPE BODY COVER	86202-KHC4-900	0				
49	CUSHION ASSY RR	52400-KHC4-900	1	YAS			
DATE OF STARTING-SALES							
DATE OF END-SALES							

CONTENTS - ENGINE GROUP

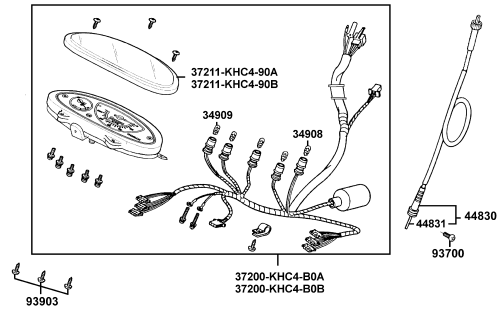
E01 Crank Case	E02 Cylinder Head Cover Cylinder	E03 Cylinder Piston Crankshaft
E04 Right Crankcase Cover	E05 Driven Pulley	E06 Starting Motor/Oil Pump
E07 Fan Cover/Generator	E08 Transmission	E09 Carburetor

CONTENTS - FRAME GROUP

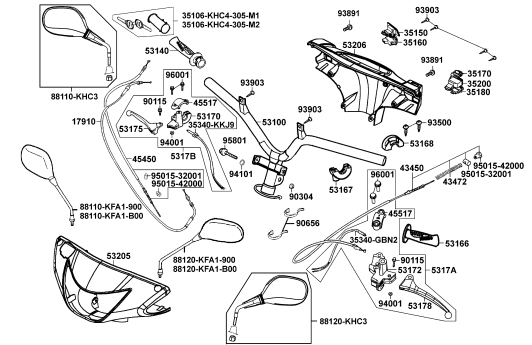
F01 Head Light



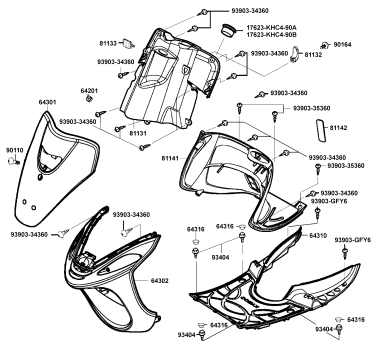
F02 Speedometer



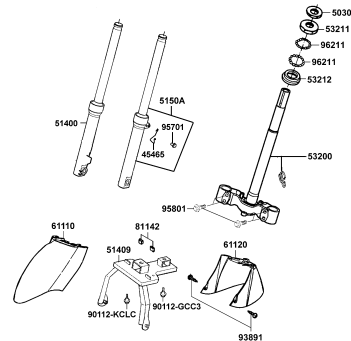
F03 Handle Steering Handle Cover



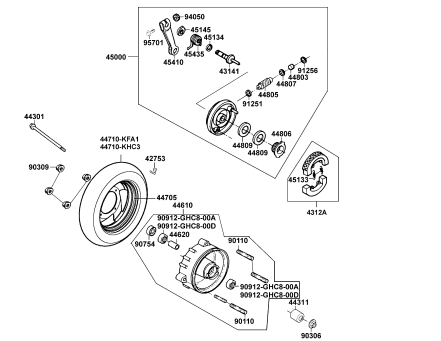
F04 Front Cover Floor Panel



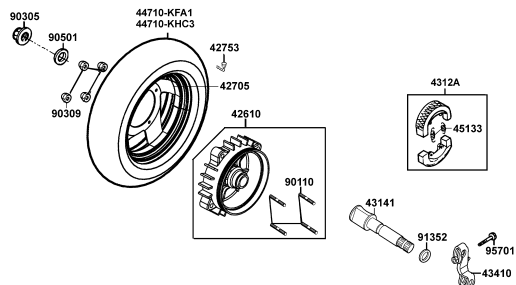
F05 Stem Steering Front Fork



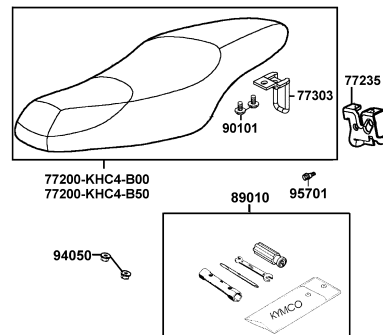
F06 Front Wheel



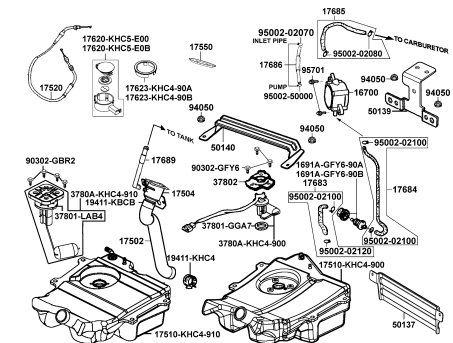
F07 Rear Wheel



F08 Seat

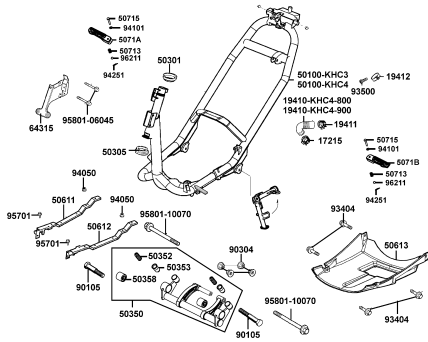


F09 Fuel Tank

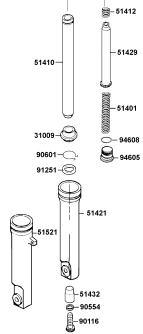


CONTENTS - FRAME GROUP

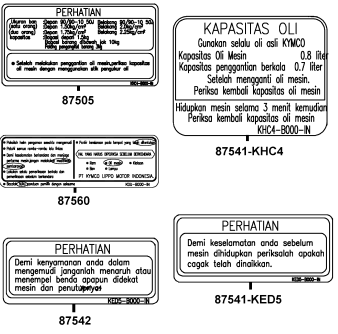
F19 Frame Body



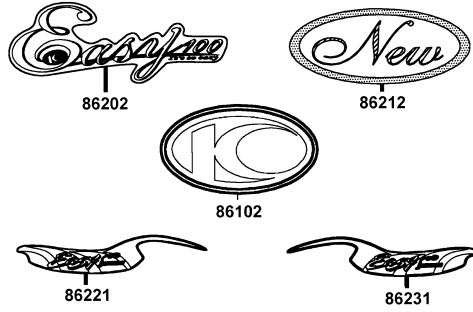
F20 Separated Parts Of Fr Fork



F21 Caution Label

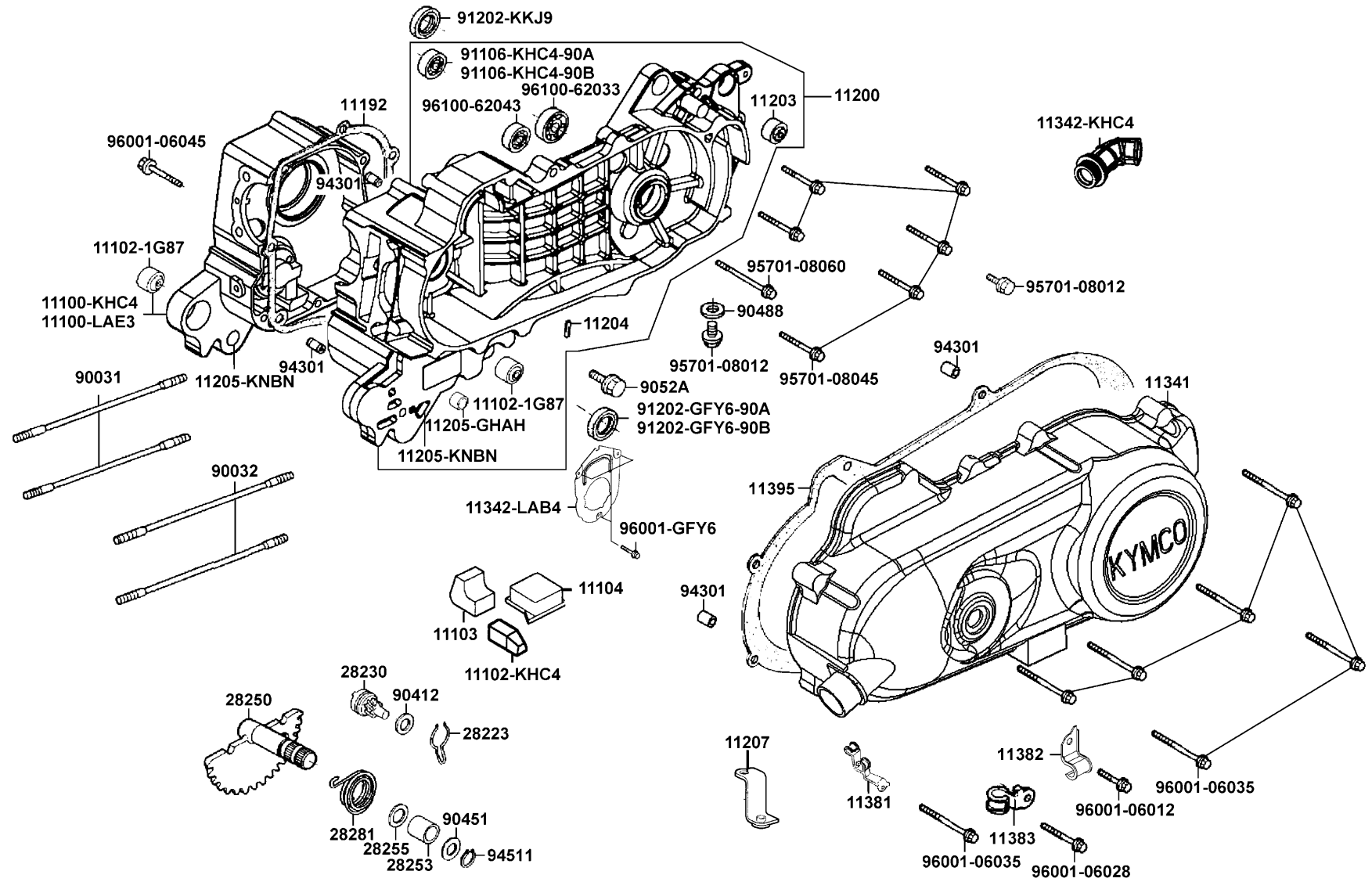


F22 EmblemStripe



E01

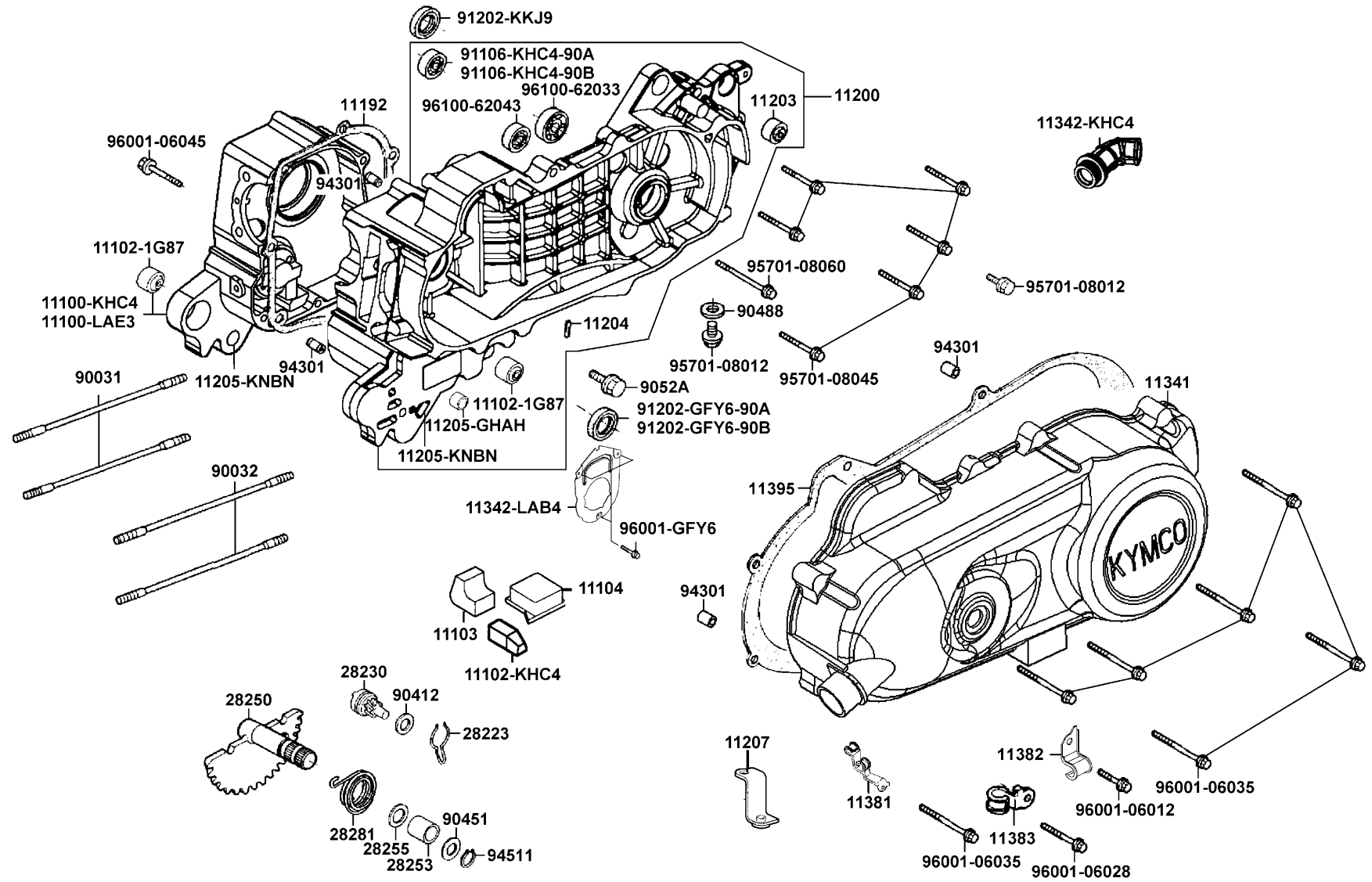
Crank Case



Sales mark	Ref no	Part no	Description	Reg description	Regd no	E01
	11100-KHC4	11100-KHC4-305	CRANK CASE COMP RIGHT	CRANK CASE COMP RIGHT	1	
	11100-LAE3	11100-LAE3-305	CRANK CASE COMP RIGHT	CRANK CASE COMP RIGHT	1	
	11102-1G87	11102-1G87-004	RUB BUSH ENG HANGER	RUB BUSH ENG HANGER	2	
	11102-KHC4	11102-KHC4-B00	RUBBER A L SIDE	RUBBER A L SIDE	1	
	11103	11103-KHC4-B00	RUBBER B L SIDE	RUBBER B L SIDE	1	
	11104	11104-KHC4-B10	RUBBER C L SIDE	RUBBER C L SIDE	1	
	11192	11192-KHC4-900	GASTER CRANK CASE @ A	GASTER CRANK CASE @ A	1	
	11200	11200-KHC4-B00	CRANK CASE COMP LEFT	CRANK CASE COMP LEFT	1	
	11203	11203-GGC7-301	UNDER RUBBER BUSH REAR CUSHION	UNDER RUBBER BUSH REAR CUSHION	1	
	11204	11204-KNBN-901	PIN SPG HOOK	PIN SPG HOOK	1	
	11205-GHAH	11205-GHAH-004	BUSH 8*12*8	BUSH 8*12*8	1	
	11205-KNBN	11205-KNBN-901	BUSH M STAND	BUSH M STAND	2	
	11207	11207-KHC4-800	STAY B RR FENDER	STAY B RR FENDER	1	
**	11341	11341-KHC4-B00	COVER L SIDE	COVER L SIDE	1	
	11342-KHC4	11342-KHC4-B00	DUCT A L COVER COMP	DUCT A L COVER COMP	1	
	11342-LAB4	11342-LAB4-900	PLATE L COVER	PLATE L COVER	1	
	11381	11381-KHC4-900	CLAMPER THROTTLE CABLE	CLAMPER THROTTLE CABLE	1	
	11382	11382-KHC4-800	CLAMPER BRAKE WIRE	CLAMPER BRAKE WIRE	1	
	11383	11383-KHC4-900	CLAMPER BREATHER	CLAMPER BREATHER	1	
	11395	11395-KHC4-B50	GASKET L COVER @A	GASKET L COVER @A	1	

E01

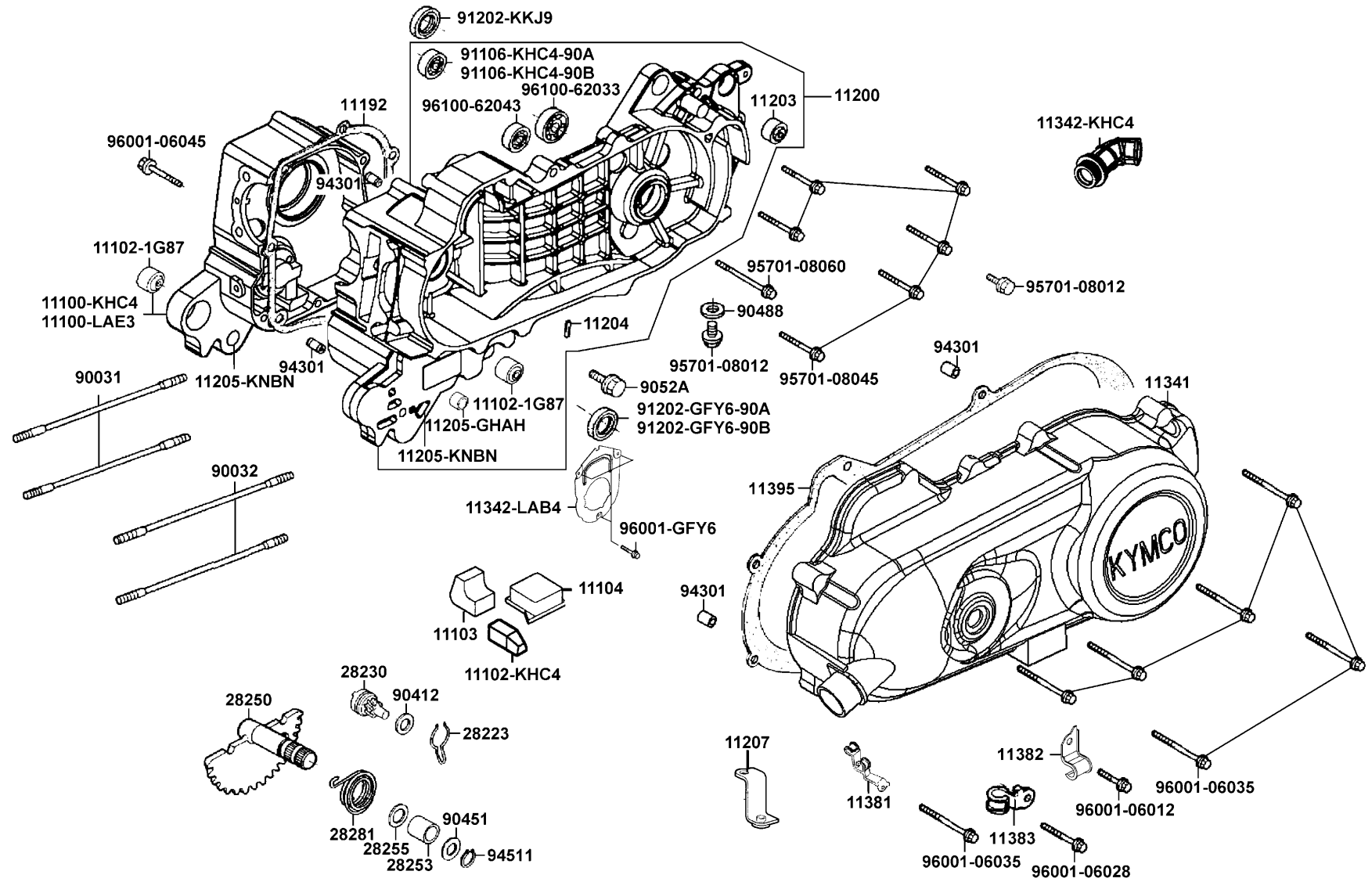
Crank Case



Sales mark	Ref no	Part no	Description	Reg description	Regd no	E01
	28223	28223-KNBN-901	SPG KICK DRIVEN GEAR	SPG KICK DRIVEN GEAR	1	
	28230	28230-KNBN-901	GEAR COMP KICK DRIVEN	GEAR COMP KICK DRIVEN	1	
	28250	28250-KNBN-901	SPINDLE COMP KICK STARTER	SPINDLE COMP KICK STARTER	1	
	28253	28253-GBN2-60A	BUSH KICK SPINDLE	BUSH KICK SPINDLE	1	
	28255	28255-GFS6-001	COLLAR KICK BOSS	COLLAR KICK BOSS	1	
	28281	28281-GBN2-60A	SPRING KICK RETURN	SPRING KICK RETURN	1	
	90031	90031-KHC4-900	BOLT A STUD 7*168	BOLT A STUD 7*168	2	
	90032	90032-KHC4-900	BOLT B STUD 8*190.5	BOLT B STUD 8*190.5	2	
	90412	90412-3K29-001	WASHER THRUST10MM	WASHER THRUST10MM	1	
	90451	90451-GBN2-601	WASHER KICK SPINDLE	WASHER KICK SPINDLE	1	
	90488	90488-7L00-001	WASHER 8MM	WASHER 8MM	1	
	9052A	9052A-GFY6-950	BOLT ASSY DRAIN PLUG	BOLT ASSY DRAIN PLUG	1	
	91106-KHC4-90A	91106-KHC4-90A	BRG NEEDLE 15MM	BRG NEEDLE 15MM	1	
	91106-KHC4-90B	91106-KHC4-90B	BRG NEEDLE 15MM	BRG NEEDLE 15MM	1	
	91202-GFY6-90A	91202-GFY6-90A	OIL SEAL 19.8*30*5	OIL SEAL 19.8*30*5	1	
	91202-GFY6-90B	91202-GFY6-90B	OIL SEAL 19.8*30*5	OIL SEAL 19.8*30*5	1	
	91202-KKJ9	91202-KKJ9-004	OIL SEAL 20*32*6	OIL SEAL 20*32*6	1	
	94301	94301-08140	DOWEL PIN 8*14	DOWEL PIN 8*14	4	
	94511	94511-14000	CIRCLIP EX 14	CIRCLIP EX 14	1	
	95701-08012	95701-08012-08	BOLT FLANGE 8*12	BOLT FLANGE 8*12	2	

E01

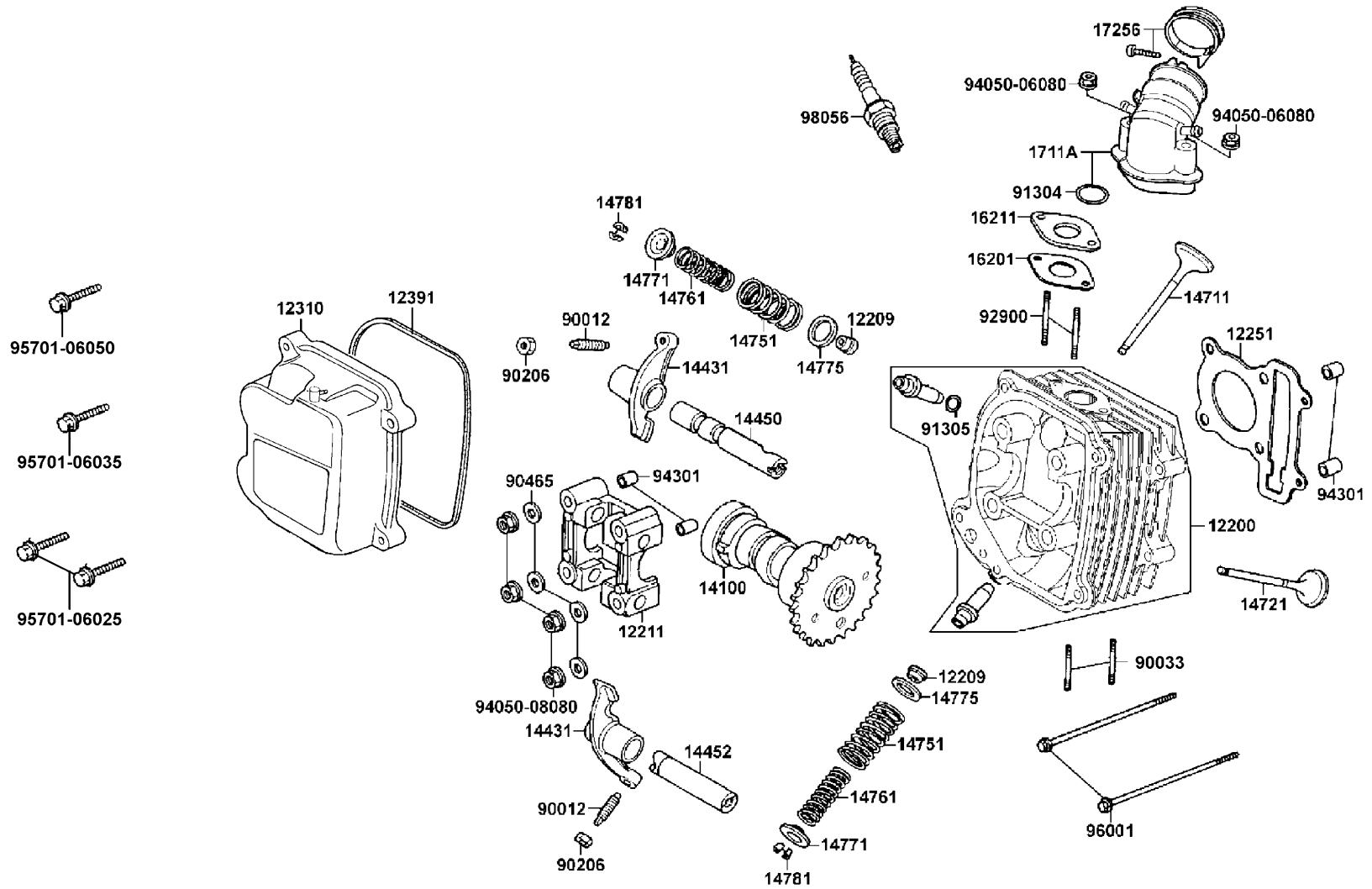
Crank Case



Sales mark	Ref no	Part no	Description	Reg description	Regd no	E01
	95701-08045	95701-08045-08	BOLT FLANGE 8*45	BOLT FLANGE 8*45	6	
	95701-08060	95701-08060-08	BOLT FLANGE 8*60	BOLT FLANGE 8*60	1	
	96001-06012	96001-06012-08	BOLT FLANGE 6*12	BOLT FLANGE 6*12	1	
	96001-06028	96001-06028-08	BOLT FLANGE SH 6*28	BOLT FLANGE SH 6*28	1	
	96001-06035	96001-06035-08	BOLT FLANGE 6*35	BOLT FLANGE 6*35	7	
	96001-06045	96001-06045-08	BOLT FLANGE SH 6*45	BOLT FLANGE SH 6*45	1	
	96001-GFY6	96001-GFY6-900	BOLT SPECIAL 5*10	BOLT SPECIAL 5*10	3	
	96100-62033	96100-62033-00	BEARING BALL RADIAL 6203	BEARING BALL RADIAL 6203	1	
	96100-62043	96100-62043-00	BEARING BALL RADIAL 6204	BEARING BALL RADIAL 6204	1	

E02

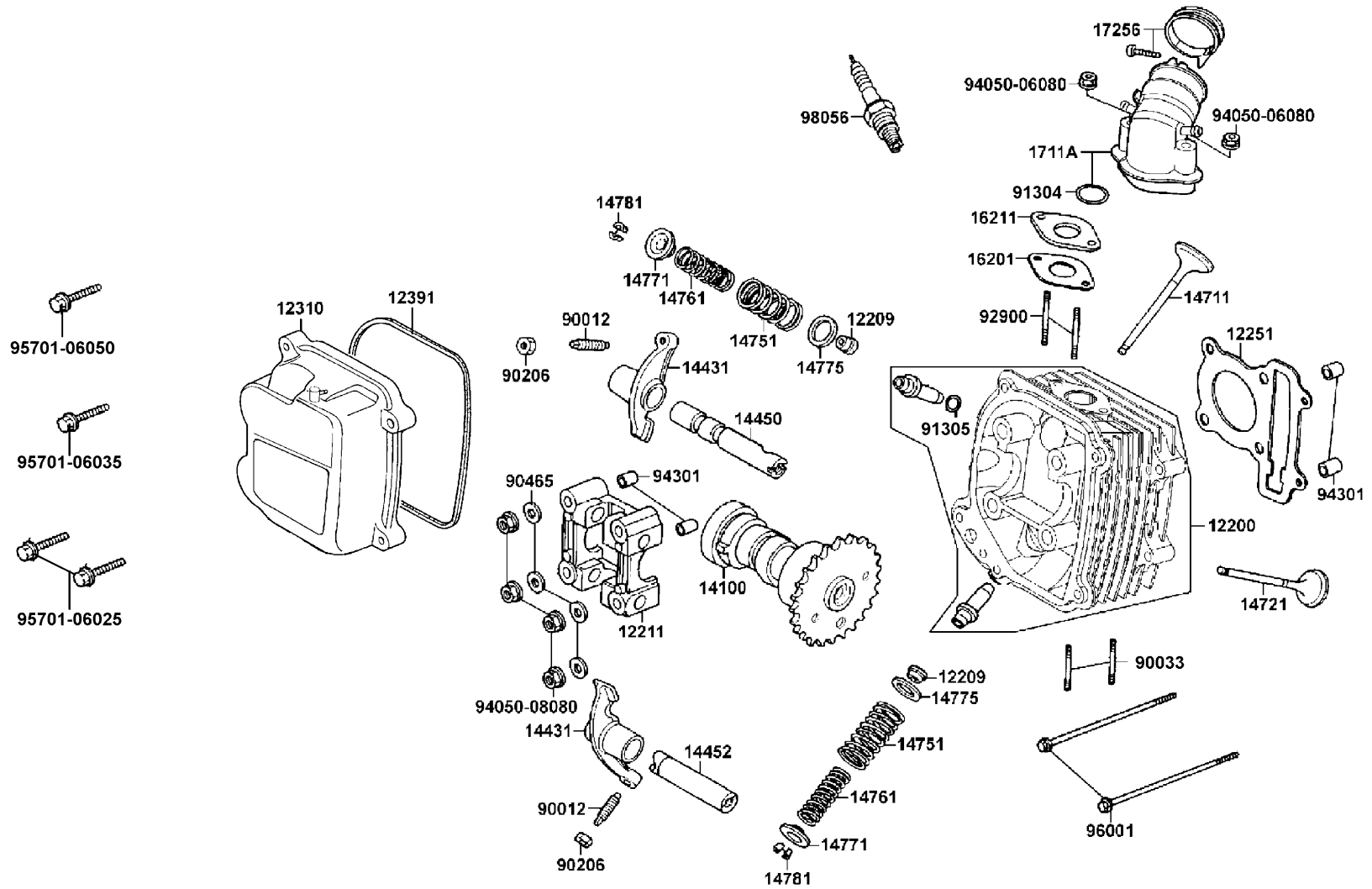
Cylinder Head Cover Cylinder Head



Sales mark	Ref no	Part no	Description	Reg description	Regd no	E02
	12200	12200-KHC4-B00	HEAD COMP CYLN	HEAD COMP CYLN	1	
	12209	12209-GDB4-68A	SEAL VALVE STEM	SEAL VALVE STEM	2	
	12211	12211-KUDU-900	HOLDER CAM SHAFT	HOLDER CAM SHAFT	1	
	12251	12251-KHC4-900	GASKET CYLINDER HEAD	GASKET CYLINDER HEAD	1	
#	12310	12310-KHC4-B00	COVER COMP HEAD	COVER COMP HEAD	1	
	12391	12391-GFY6-941	GASKET HEAD COVER	GASKET HEAD COVER	1	
	14100	14100-KHC4-220	SHAFT COMP CAM	SHAFT COMP CAM	1	
	14431	14431-GFY6-901	ARM VALVE ROCKER	ARM VALVE ROCKER	2	
	14450	14450-GFY6-901	SHAFT COMP IN ROCKER ARM	SHAFT COMP IN ROCKER ARM	1	
	14452	14452-GFY6-901	SHAFT EXH ROCKER ARM	SHAFT EXH ROCKER ARM	1	
	14711	14711-KHC4-900	VALVE INLET	VALVE INLET	1	
	14721	14721-KHC4-900	VALVE EXHAUST	VALVE EXHAUST	1	
	14751	14751-KFBF-900	SPRING VALVE OUTER	SPRING VALVE OUTER	2	
	14761	14761-KFBF-900	SPG VALVE INNER	SPG VALVE INNER	2	
	14771	14771-GDB4-680	RETAINER VALVE SPRING	RETAINER VALVE SPRING	2	
	14775	14775-MFA6-001	SEAT VALVE SPG OUTER	SEAT VALVE SPG OUTER	2	
	14781	14781-MFA6-001	COTTER VALVE	COTTER VALVE	4	
	16201	16201-KHC4-900	GASKET CARB INSULATOR @A	GASKET CARB INSULATOR @A	1	
	16211	16211-KHC4-900	INSULATOR CARB	INSULATOR CARB	1	
	1711A	1711A-KHC4-B00	PIPE ASSY INLET	PIPE ASSY INLET	1	

E02

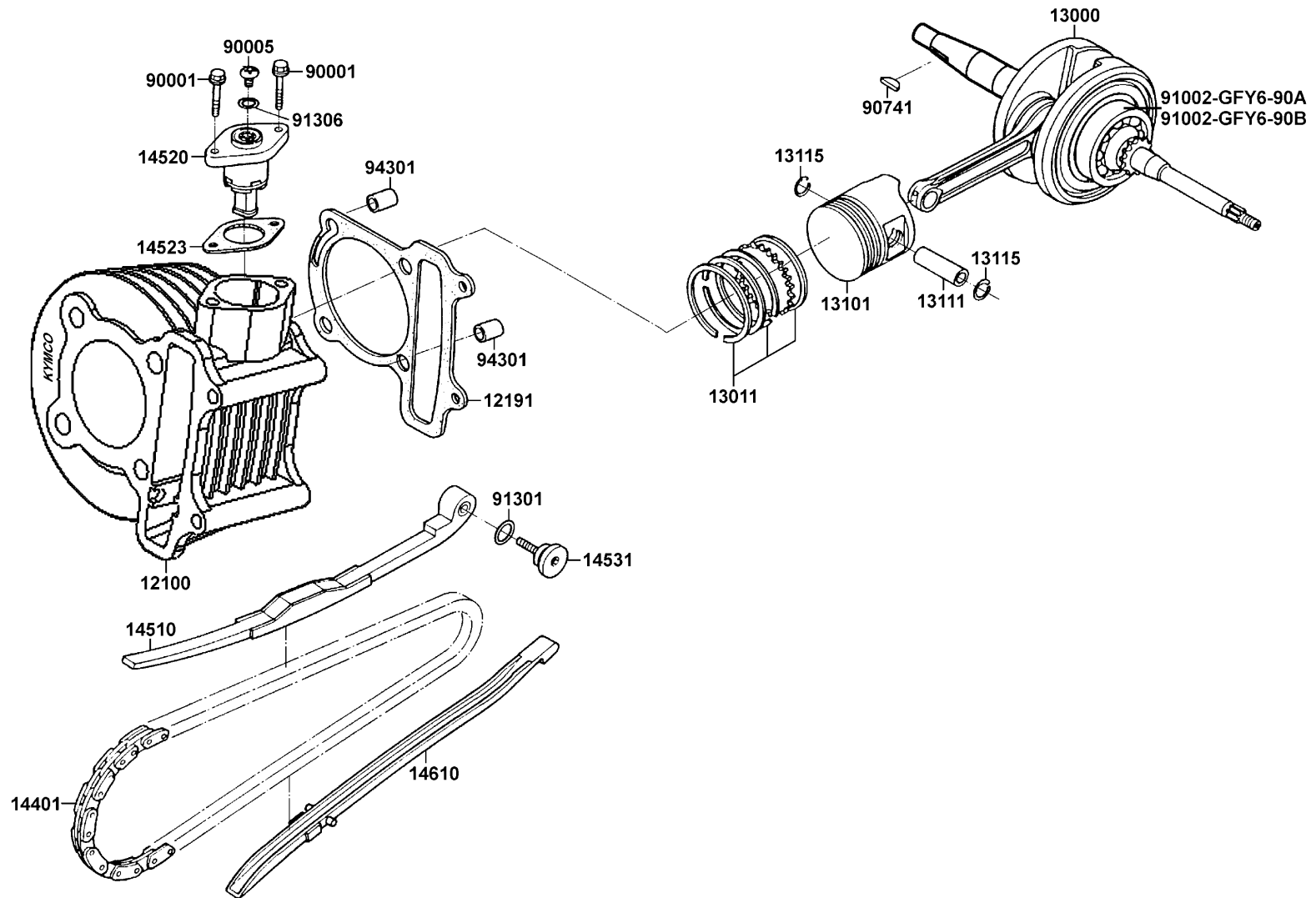
Cylinder Head Cover Cylinder Head



Sales mark	Ref no	Part no	Description	Reg description	Regd no	E02
	17256	17256-KGBG-900	BAND INSULATOR	BAND INSULATOR	1	
	90012	90012-3C33-001	SCREW TAPPET ADJUSTING	SCREW TAPPET ADJUSTING	2	
	90033	90033-GFY6-900	BOLT STUD 8*32	BOLT STUD 8*32	2	
	90206	90206-0A01-001	NUT TAPPET ADJG	NUT TAPPET ADJG	2	
	90465	90465-MDC4-001	WASHER 8MM	WASHER 8MM	4	
	91304	91304-KHC4-900	O- RING 22*2.0	O- RING 22*2.0	1	
	91305	91305-0H28-159	O-RING 9*1.6	O-RING 9*1.6	2	
	92900	92900-06050-0B	BOLT STUD 6*50	BOLT STUD 6*50	2	
	94050-06080	94050-06080	NUT FLANGE 6MM	NUT FLANGE 6MM	2	
	94050-08080	94050-08080	NUT FLANGE 8MM	NUT FLANGE 8MM	4	
	94301	94301-10160	DOWEL PIN 10*16	DOWEL PIN 10*16	4	
	95701-06025	95701-06025-08	BOLT FLANGE 6*25	BOLT FLANGE 6*25	2	
	95701-06035	95701-06035-08	BOLT FLANGE SH 6*35	BOLT FLANGE SH 6*35	1	
	95701-06050	95701-06050-08	BOLT FLANGE 6*50	BOLT FLANGE 6*50	1	
	96001	96001-06095-08	BOLT FLANGE 6*95	BOLT FLANGE 6*95	2	
	98056	98056-57713-00	SPARK PLUG (C7HSA)	SPARK PLUG (C7HSA)	1	

E03

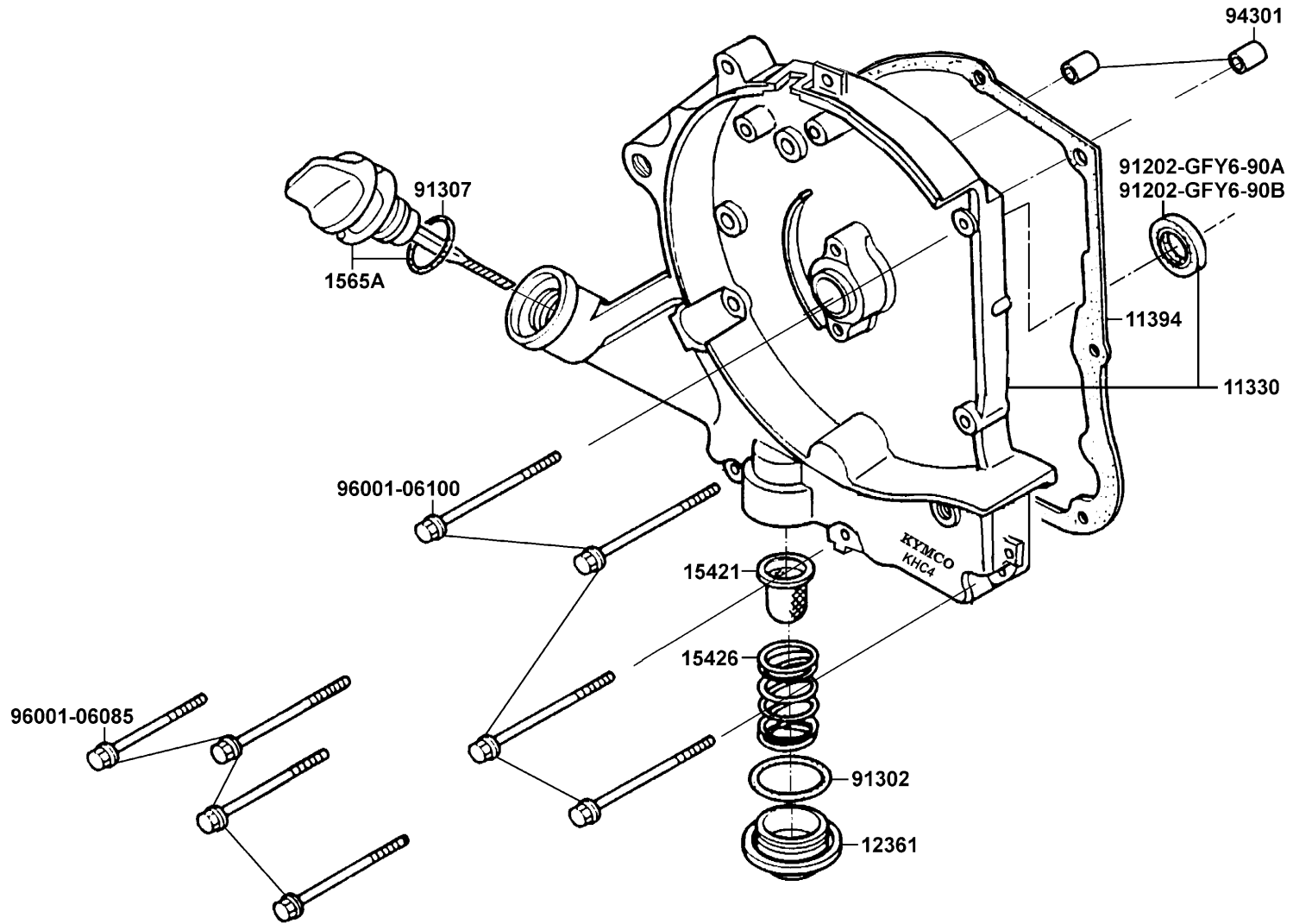
Cylinder Piston Crankshaft



Sales mark	Ref no	Part no	Description	Reg description	Regd no	E03
	12100	12100-KHC4-900	CYLINDER COMP	CYLINDER COMP	1	
	12191	12191-KHC4-900	GASTET CYLINDER @ A	GASTET CYLINDER @ A	1	
	13000	13000-KHC4-900	CRANK SHAFT COMP	CRANK SHAFT COMP	1	
	13011	13011-GFF6-90B	RING SET PISTON	RING SET PISTON	1	
#	13101	13101-KHC4-900	PISTON	PISTON	1	
	13111	13111-0G87-001	PIN PISTON	PIN PISTON	1	
	13115	13115-0A01-001	PISTON PIN CLIP	PISTON PIN CLIP	2	
	14401	14401-KHC4-900	CHAIN CAM	CHAIN CAM	1	
	14510	14510-KHC4-900	TENSIONER CAM CHAIN	TENSIONER CAM CHAIN	1	
	14523	14523-GFY6-901	GASKET TENSIONER LIFTER @ A	GASKET TENSIONER LIFTER @ A	1	
	14531	14531-GLR0-001	PIVOT CAM CHAIN TENSIONER	PIVOT CAM CHAIN TENSIONER	1	
	14610	14610-KHC4-900	GUIDE COMP CAM CHAIN	GUIDE COMP CAM CHAIN	1	
	90001	90001-GBHB-661	BOLT FLANGE SH 6*22	BOLT FLANGE SH 6*22	2	
	90005	90005-KAW1-901	SCREW PAN 6*6	SCREW PAN 6*6	1	
	90741	90741-0E35-001	KEY WOODRUFF	KEY WOODRUFF	1	
	91002-GFY6-90A	91002-GFY6-90A	BRG BALL RADIAL 63/22	BRG BALL RADIAL 63/22	1	
	91002-GFY6-90B	91002-GFY6-90B	BRG BALL RADIAL 63/22	BRG BALL RADIAL 63/22	1	
	91301	91301-GLR0-005	O RING 15.2*1.5	O RING 15.2*1.5	1	
	91306	91306-1E05-691	O-RING 1.5*9.5	O-RING 1.5*9.5	1	
	94301	94301-10160	DOWEL PIN 10*16	DOWEL PIN 10*16	2	

E04

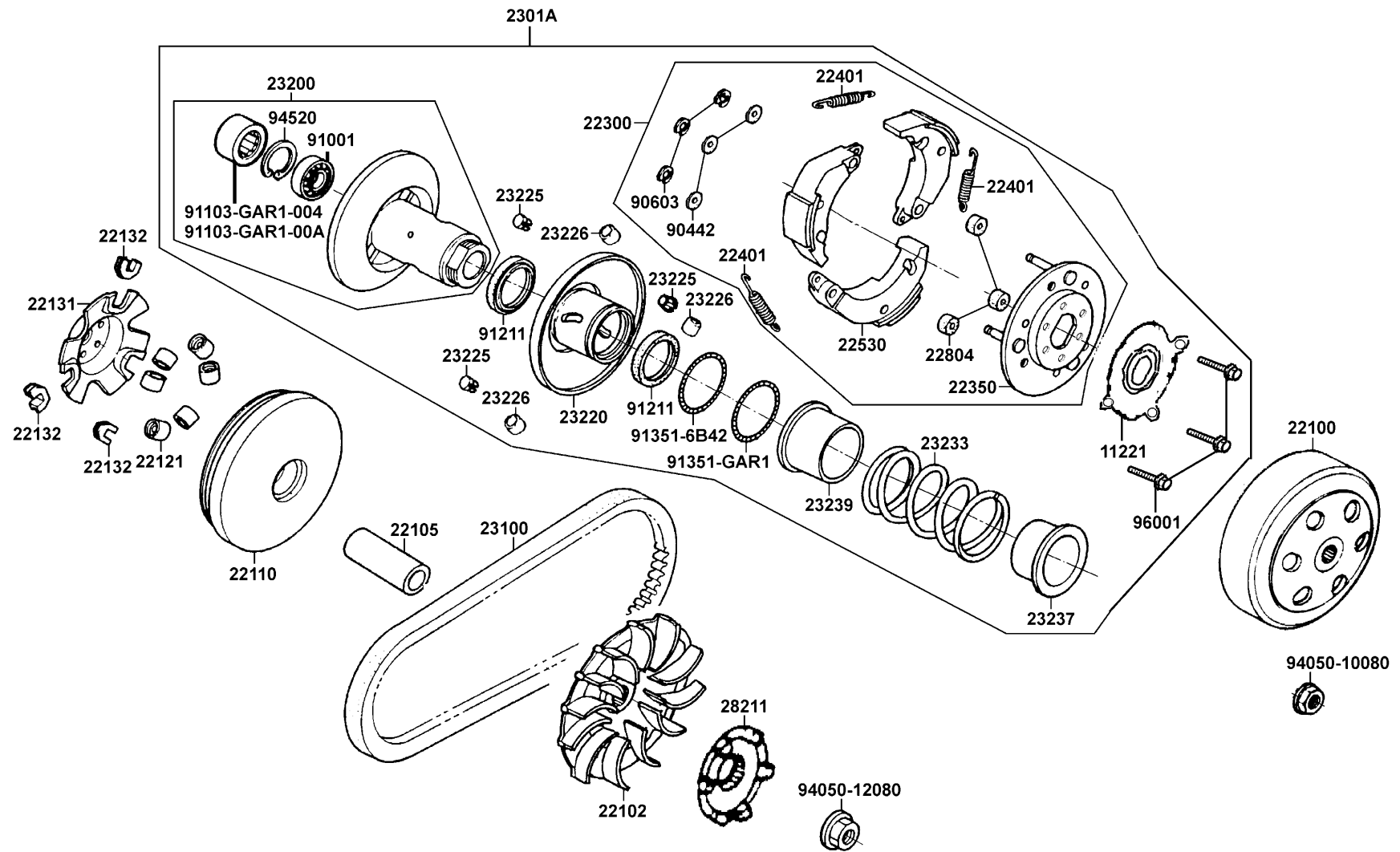
Right Crankcase Cover



Sales mark	Ref no	Part no	Description	Reg description	Regd no	E04
#	11330	11330-LAB4-900	COVER R CRANK CASE	COVER R CRANK CASE	1	
	11394	11394-KHC4-900	GASTER R COVER @ A	GASTER R COVER @ A	1	
	12361	12361-GFY6-901	HOLE CAP TAPPET ADJUSTING	HOLE CAP TAPPET ADJUSTING	1	
	15421	15421-1G07-001	SCREEN OIL FILTER	SCREEN OIL FILTER	1	
	15426	15426-GAE1-921	SPG OIL FILTER SCREEN	SPG OIL FILTER SCREEN	1	
	1565A	1565A-GFY6-900	GAUGE OIL LEVEL ASSY	GAUGE OIL LEVEL ASSY	1	
	91202-GFY6-90A	91202-GFY6-90A	OIL SEAL 19.8*30*5	OIL SEAL 19.8*30*5	1	
	91202-GFY6-90B	91202-GFY6-90B	OIL SEAL 19.8*30*5	OIL SEAL 19.8*30*5	1	
	91302	91302-0A01-021	O-RING 30.8M/M	O-RING 30.8M/M	1	
	91307	91307-0E35-001	O RING 18*3	O RING 18*3	1	
	94301	94301-08140	DOWEL PIN 8*14	DOWEL PIN 8*14	2	
	96001-06085	96001-06085-06	BOLT FLANGE 6*85	BOLT FLANGE 6*85	4	
	96001-06100	96001-06100-08	BOLT FLANGE SH 6*100	BOLT FLANGE SH 6*100	4	

E05

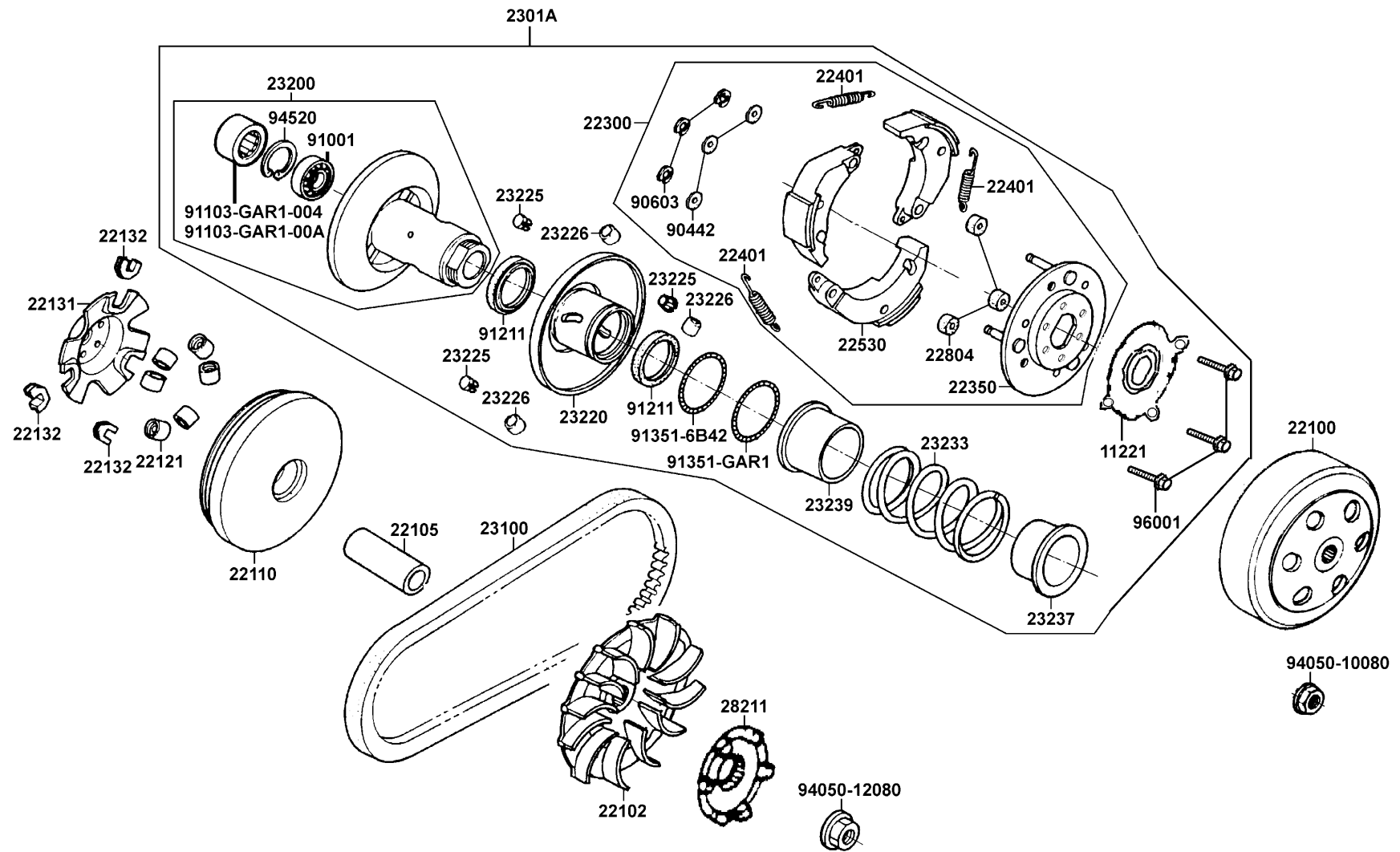
Driven Pulley



Sales mark	Ref no	Part no	Description	Reg description	Regd no	E05
	11221	11221-KHC4-900	INSULATOR DUST	INSULATOR DUST	1	
	22100	22100-KNBN-902	CLUTCH OUTER	CLUTCH OUTER	1	
	22102	22102-KHC4-900	FACE DRIVE	FACE DRIVE	1	
	22105	22105-KHC4-900	BOSS DRIVE FACE	BOSS DRIVE FACE	1	
	22110	22110-KHC4-900	FACE COMP MOVABLE DRIVE	FACE COMP MOVABLE DRIVE	1	
	22121	22121-GHT8-602	ROLLER COMP WEIGHT 7.5 GR	ROLLER COMP WEIGHT 7.5 GR	6	
	22131	22131-GCW3-901	PLATE RAMP	PLATE RAMP	1	
	22132	22132-LAB4-900	PIECE SLIDE	PIECE SLIDE	3	
	22300	22300-KHC4-900	PLATE ASSY DRIVE	PLATE ASSY DRIVE	1	
	22350	22350-KHC4-900	PLATE COMP DRIVE	PLATE COMP DRIVE	1	
	22401	22401-KED5-900	SPRING CLUTCH	SPRING CLUTCH	3	
	22530	22530-KHC4-900	WEIGHT SET CLUTCH	WEIGHT SET CLUTCH	3	
	22804	22804-1H48-001	RUBBER CLUTCH DUMPER	RUBBER CLUTCH DUMPER	3	
	2301A	2301A-KHC4-900	PULLEY SUB ASSY DRIVEN	PULLEY SUB ASSY DRIVEN	1	
	23100	23100-KHC4-900	BELT DRIVE	BELT DRIVE	1	
	23200	23200-GCW3-001	FACE ASSY DRIVEN	FACE ASSY DRIVEN	1	
	23220	23220-KHC4-900	FACE COMP MOVABLE DRIVEN	FACE COMP MOVABLE DRIVEN	1	
	23225	23225-GCW3-001	PIN GUIDE	PIN GUIDE	3	
	23226	23226-GCW3-001	ROLLER GUIDE	ROLLER GUIDE	3	
	23233	23233-KED5-900	SPG DRIVEN FACE	SPG DRIVEN FACE	1	

E05

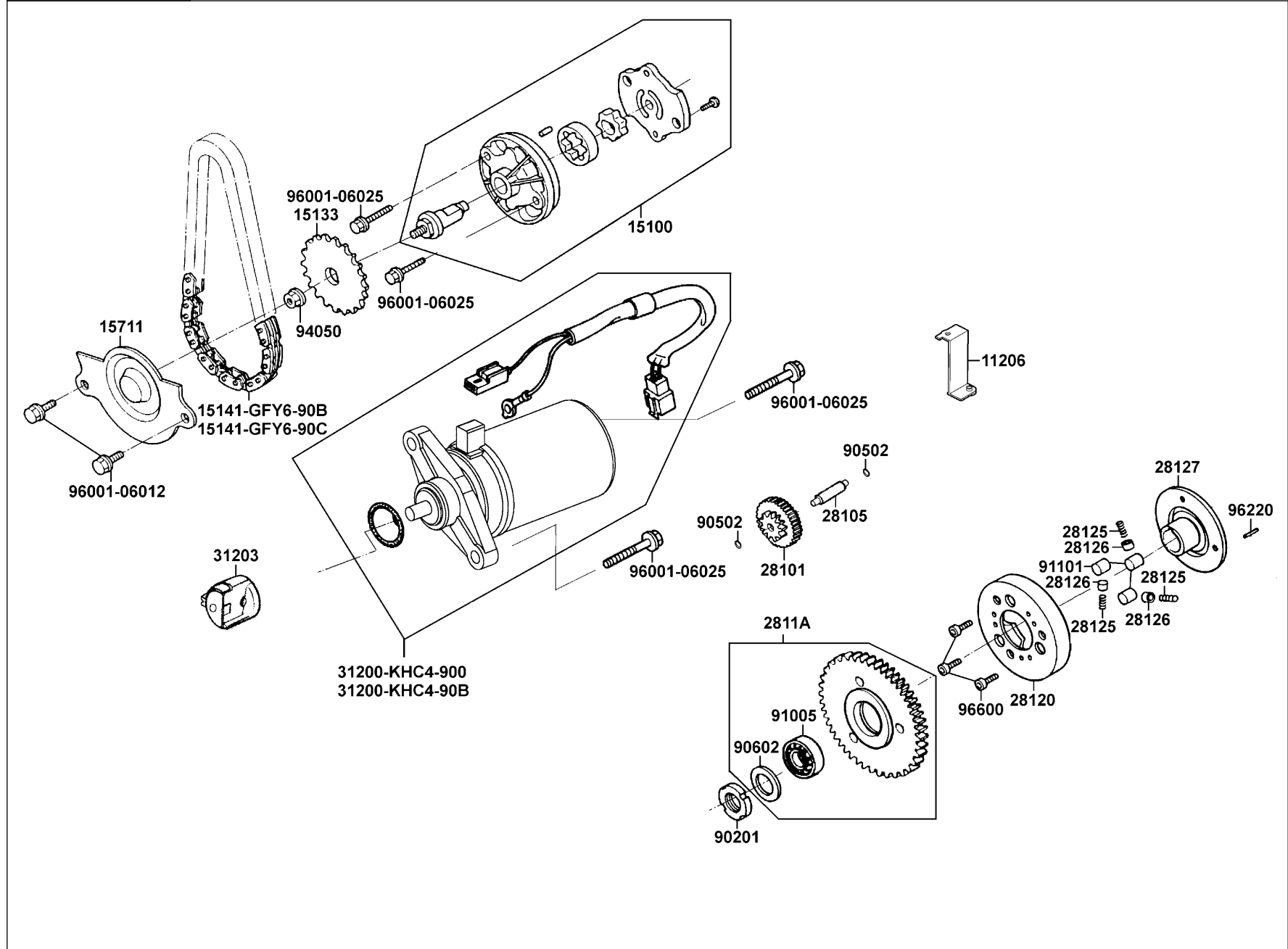
Driven Pulley



Sales mark	Ref no	Part no	Description	Reg description	Regd no	E05
23237		23237-GCW3-001	COLLAR SEAL	COLLAR SEAL	1	
23239		23239-GCW3-851	GUIDE SPG	GUIDE SPG	1	
28211		28211-KNBN-901	RATCHET KICK STARTER	RATCHET KICK STARTER	1	
90442		90442-0D44-001	6M/M THRUST WASHER	6M/M THRUST WASHER	3	
90603		90603-0D44-001	CIR CLIP 6MM	CIR CLIP 6MM	3	
91001		91001-GGA7-70A	BRG RADIAL BALL 6901U	BRG RADIAL BALL 6901U	1	
91103-GAR1-004		91103-GAR1-004	BRG NEEDLE 17*25*18 WS	BRG NEEDLE 17*25*18 WS	1	
91103-GAR1-00A		91103-GAR1-00A	BRG NEEDLE 17*25*18 WS	BRG NEEDLE 17*25*18 WS	1	
91211		91211-GHK8-014	OIL SEAL 34*39*3	OIL SEAL 34*39*3	2	
91351-6B42		91351-6B42-000	O-RING PINION CAP	O-RING PINION CAP	1	
91351-GAR1		91351-GAR1-001	O-RING 38.5*2	O-RING 38.5*2	1	
94050-10080		94050-10080	NUT FLANGE 10MM	NUT FLANGE 10MM	1	
94050-12080		94050-12080	NUT C FLANGE 12MM	NUT C FLANGE 12MM	1	
94520		94520-24000	CIR CLIP IN 24	CIR CLIP IN 24	1	
96001		96001-06012-08	BOLT FLANGE 6*12	BOLT FLANGE 6*12	3	

E06

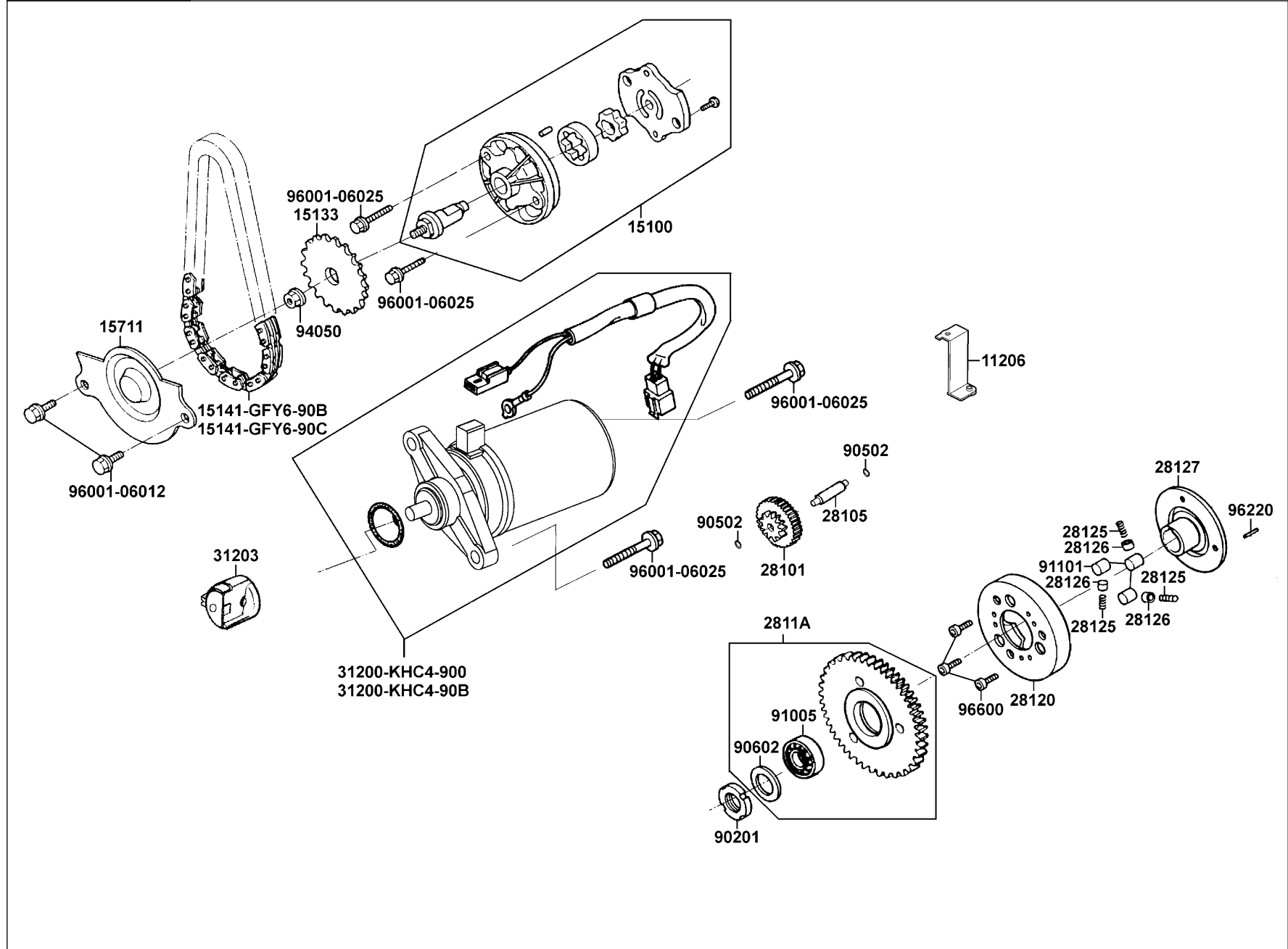
Starting Motor Oil Pump



Sales mark	Ref no	Part no	Description	Reg description	Regd no	E06
	11206	11206-KHC4-B00	STAY L COVER	STAY L COVER	1	
	15100	15100-GFY6-901	PUMP ASSY OIL	PUMP ASSY OIL	1	
	15133	15133-GFY6-901	SPRKT OIL PUMP DRIVEN	SPRKT OIL PUMP DRIVEN	1	
	15141-GFY6-90B	15141-GFY6-90B	CHAIN OIL PUMP	CHAIN OIL PUMP	1	
	15141-GFY6-90C	15141-GFY6-90C	CHAIN OIL PUMP	CHAIN OIL PUMP	1	
	15711	15711-GFY6-901	SEPARATER OIL	SEPARATER OIL	1	
	28101	28101-KNBN-901	GEAR COMP STARTER REDUCTION	GEAR COMP STARTER REDUCTION	1	
	28105	28105-KNBN-901	SHAFT STARTER REDUCTION	SHAFT STARTER REDUCTION	1	
#	2811A	2811A-KNBN-940	GEAR COMP STARTER DRIVEN	GEAR COMP STARTER DRIVEN	1	
	28120	28120-KNBN-901	OUTER COMP ST CLUCH	OUTER COMP ST CLUCH	1	
	28125	28125-3C23-001	SPRING ROLLER ST CLUTCH	SPRING ROLLER ST CLUTCH	3	
	28126	28126-KNBN-901	CAP SPGING ROLLER SP	CAP SPGING ROLLER SP	3	
	28127	28127-KNBN-901	BOSS STARTER CLUTCH	BOSS STARTER CLUTCH	1	
	31200-KHC4-900	31200-KHC4-900	MOTOR ASSY START	MOTOR ASSY START	1	
	31200-KHC4-90B	31200-KHC4-90B	MOTOR ASSY START	MOTOR ASSY START	1	
	31203	31203-KHC4-900	HOLDER COMP STARTER REDUCTION	HOLDER COMP STARTER REDUCTION	1	
	90201	90201-KNBN-901	NUT SPECIAL 24MM	NUT SPECIAL 24MM	1	
	90502	90502-MBS2-001	WASHER 24*8.5	WASHER 24*8.5	2	
	90602	90602-PDX4-001	CIR CLIP B IN 47	CIR CLIP B IN 47	1	
	91005	91005-KNBN-901	BRG RADIAL 6005-2NKG	BRG RADIAL 6005-2NKG	1	

E06

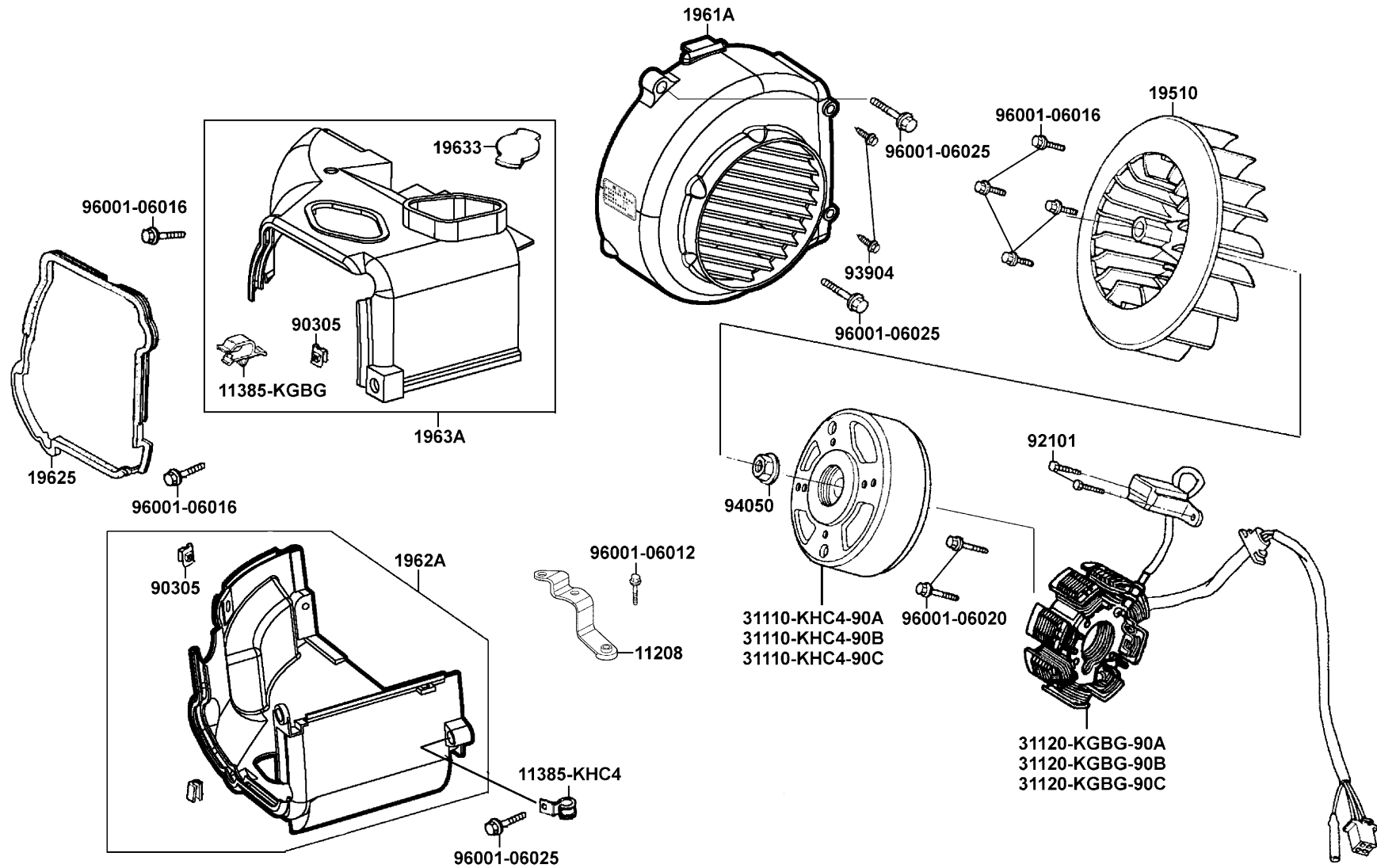
Starting Motor Oil Pump



Sales mark	Ref no	Part no	Description	Reg description	Regd no	E06
	91101	91101-KNBN-901	ROLLER 10.2*11.5	ROLLER 10.2*11.5	3	
	94050	94050-06080	NUT FLANGE 6MM	NUT FLANGE 6MM	1	
	96001-06012	96001-06012-08	BOLT FLANGE 6*12	BOLT FLANGE 6*12	2	
	96001-06025	96001-06025-08	BOLT FLANGE SH 6*25	BOLT FLANGE SH 6*25	4	
	96220	96220-60100	ROLLER 6*10	ROLLER 6*10	1	
	96600	96600-06012-10	SOCKET BOLT 6*12	SOCKET BOLT 6*12	3	

E07

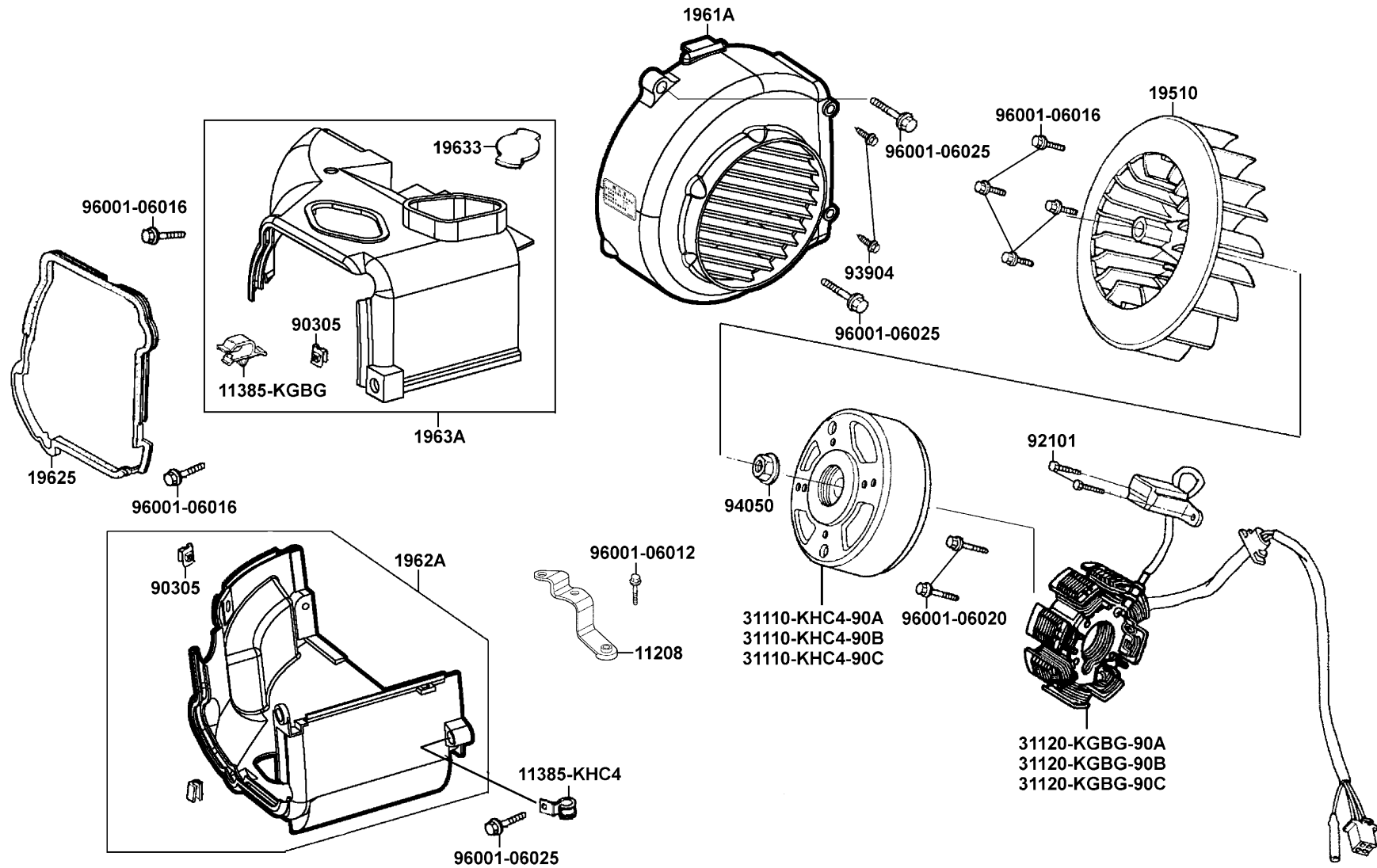
Fan Cover Generator



Sales mark	Ref no	Part no	Description	Reg description	Regd no	E07
	11208	11208-KHC4-800	STAY C RR FENDER	STAY C RR FENDER	1	
	11385-KGBG	11385-KGBG-900	CLIP VACUUM TUBE	CLIP VACUUM TUBE	1	
	11385-KHC4	11385-KHC4-900	CLAMPER CARB DRAIN TUBE	CLAMPER CARB DRAIN TUBE	1	
#	19510	19510-GBW2-901	FAN COMP COOLING	FAN COMP COOLING	1	
	1961A	1961A-LAB4-B50	COVER ASSY FAN	COVER ASSY FAN	1	
	19625	19625-KHC4-900	SEAL SHROUD	SEAL SHROUD	1	
	1962A	1962A-KHC4-900	SHROUD ASSY A	SHROUD ASSY A	1	
	19633	19633-GFY6-901	GROMET SHROUD B	GROMET SHROUD B	1	
	1963A	1963A-KHC4-900	SHROUD ASSY B	SHROUD ASSY B	1	
	31110-KHC4-90A	31110-KHC4-90A	FLYWHEEL COMP	FLYWHEEL COMP	1	
	31110-KHC4-90B	31110-KHC4-90B	FLYWHEEL COMP	FLYWHEEL COMP	1	
	31110-KHC4-90C	31110-KHC4-90C	FLYWHEEL COMP	FLYWHEEL COMP	1	
	31120-KGBG-90A	31120-KGBG-90A	STATOR COMP	STATOR COMP	1	
	31120-KGBG-90B	31120-KGBG-90B	STATOR COMP	STATOR COMP	1	
	31120-KGBG-90C	31120-KGBG-90C	STATOR COMP	STATOR COMP	1	
	90305	90305-GHK8-001	NUT CLIP 6MM	NUT CLIP 6MM	2	
	92101	92101-05012-0H	BOLT HEX 5*12	BOLT HEX 5*12	2	
	93904	93904-35380	SCREW TAPPING 5*16	SCREW TAPPING 5*16	2	
	94050	94050-10080	NUT FLANGE 10MM	NUT FLANGE 10MM	1	
	96001-06012	96001-06012-08	BOLT FLANGE 6*12	BOLT FLANGE 6*12	1	

E07

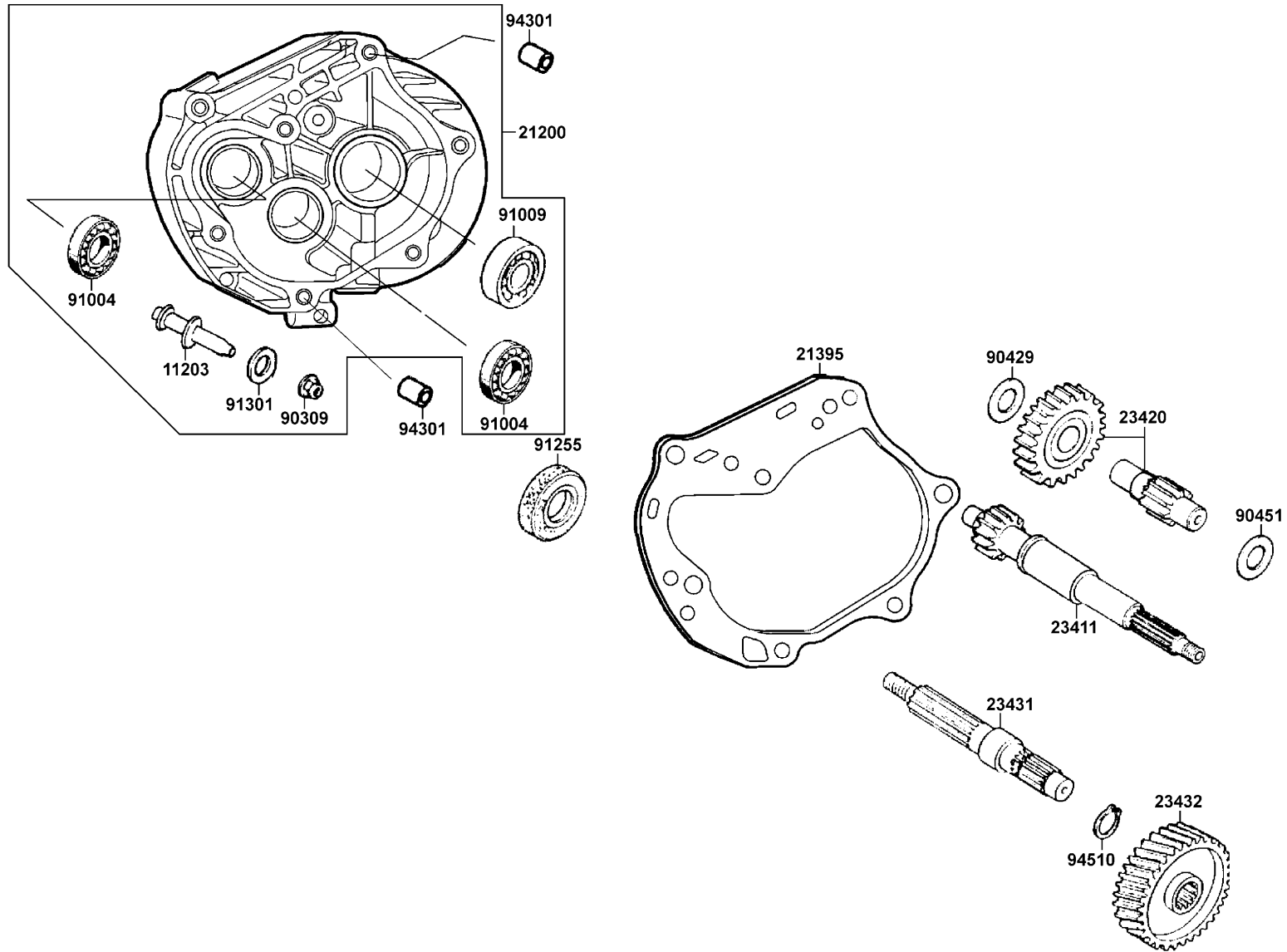
Fan CoverGenerator



Sales mark	Ref no	Part no	Description	Reg description	Regd no	E07
	96001-06016	96001-06016-08	BOLT FLANGE SH 6*16	BOLT FLANGE SH 6*16	6	
	96001-06020	96001-06020-08	BOLT FLANGE SH 6*20	BOLT FLANGE SH 6*20	2	
	96001-06025	96001-06025-08	BOLT FLANGE SH 6*25	BOLT FLANGE SH 6*25	3	

E08

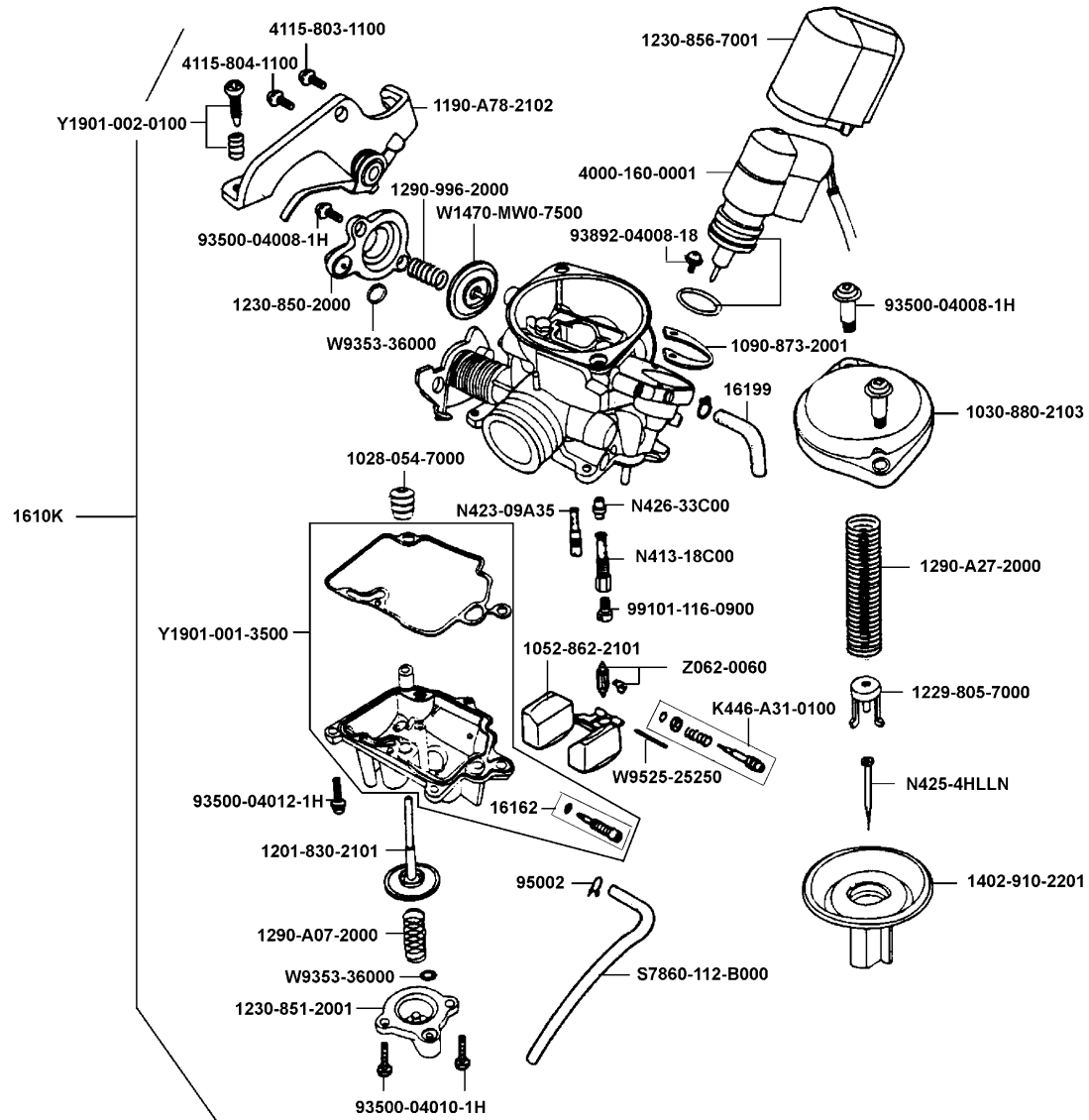
Transmission



Sales mark	Ref no	Part no	Description	Reg description	Regd no	E08
	11203	11203-KHG8-301	PIN BRAKE SHOE ANCHOR	PIN BRAKE SHOE ANCHOR	1	
	21200	21200-KFA3-305	CASE ASSY MISSION	CASE ASSY MISSION	1	
	21395	21395-KNBN-901	GASKET MISSION CASE A	GASKET MISSION CASE A	1	
#	23411	23411-KHC4-900	SHAFT DRIVE	SHAFT DRIVE	1	
#	23420	23420-KHC4-900	SHAFT COMP COUNTER	SHAFT COMP COUNTER	1	
	23431	23431-KDLD-901	SHAFT FINAL	SHAFT FINAL	1	
#	23432	23432-KNBN-901	GEAR FINAL	GEAR FINAL	1	
	90309	90309-KLF0-004-SY	NUT FLANGE 8MM	NUT FLANGE 8MM	1	
	90429	90429-KNBN-901	WASHER SIDE 12MM	WASHER SIDE 12MM	1	
	90451	90451-1G07-001	WASHER THRUST 15MM	WASHER THRUST 15MM	1	
	91004	91004-KBN2-90A	BRG BALL RADIAL 6201	BRG BALL RADIAL 6201	2	
	91009	91009-GLE0-004	BRG BALL RADIAL 6004 UU	BRG BALL RADIAL 6004 UU	1	
	91255	91255-GLE0-006	OIL SEAL 27*42*7	OIL SEAL 27*42*7	1	
	91301	91301-0C53-001	O RING 7.5*1.5	O RING 7.5*1.5	1	
	94301	94301-10200	DOWEL PIN 10*20	DOWEL PIN 10*20	2	
	94510	94510-20000	CIR CLIP EX 20	CIR CLIP EX 20	1	

E09

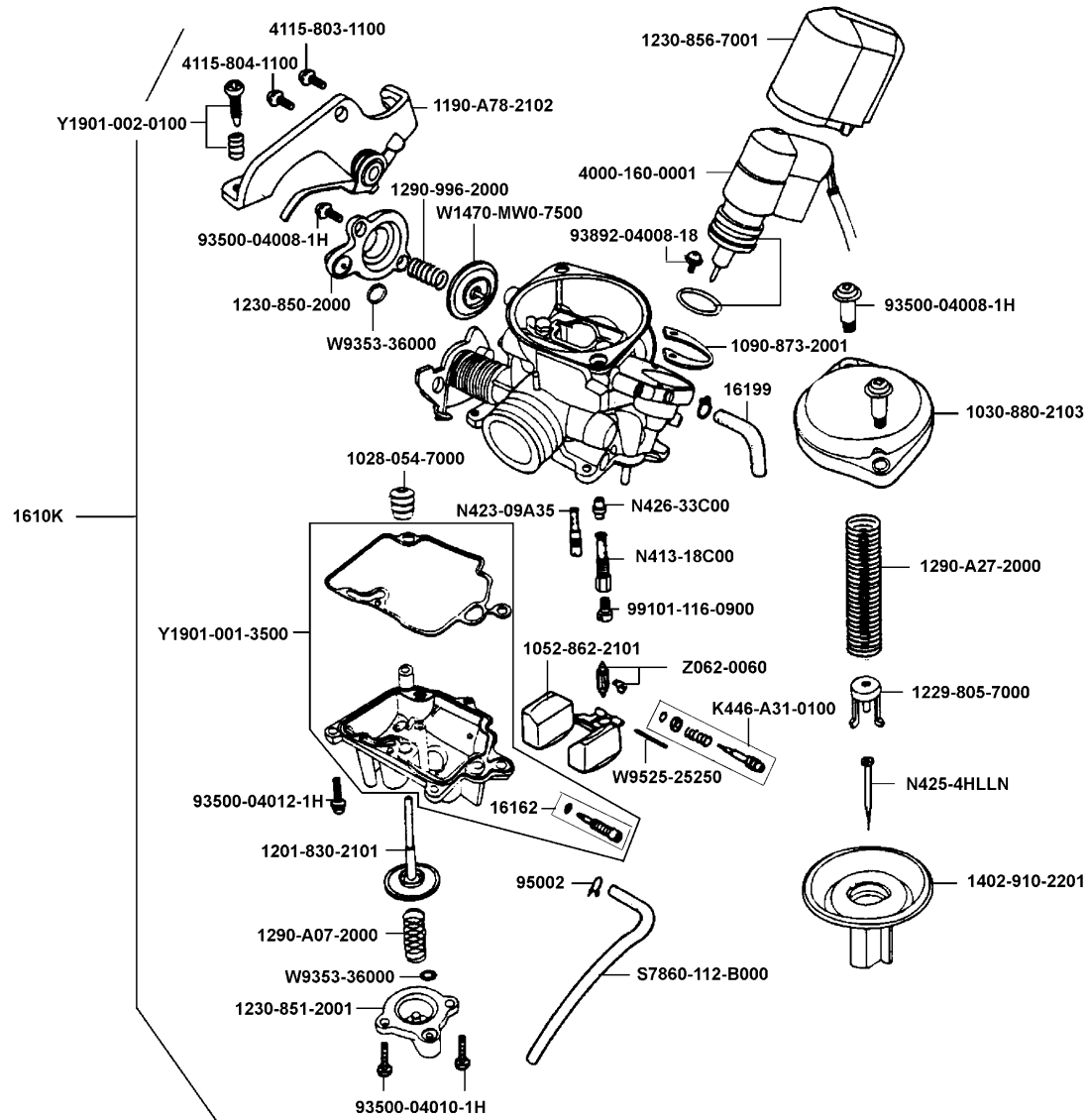
Carburetor



Sales mark	Ref no	Part no	Description	Reg description	Regd no	E09
	1028-054-7000	1028-054-7000	RUBBER CAP	RUBBER CAP	1	
	1030-880-2103	1030-880-2103	TOP SET	TOP SET	1	
	1052-862-2101	1052-862-2101	FLOAT COMP	FLOAT COMP	1	
	1090-873-2001	1090-873-2001	SET PLATE	SET PLATE	1	
	1190-A78-2102	1190-A78-2102	STAY PLATE SET	STAY PLATE SET	1	
	1201-830-2101	1201-830-2101	DIAPHRAGM COMP	DIAPHRAGM COMP	1	
	1229-805-7000	1229-805-7000	SPG SET	SPG SET	1	
	1230-850-2000	1230-850-2000	COVER (ACV)	COVER (ACV)	1	
	1230-851-2001	1230-851-2001	COVER (ACCP)	COVER (ACCP)	1	
	1230-856-7001	1230-856-7001	COVER	COVER	1	
	1290-996-2000	1290-996-2000	SPG COMPR	SPG COMPR	1	
	1290-A07-2000	1290-A07-2000	SPG COMPR	SPG COMPR	1	
	1290-A27-2000	1290-A27-2000	SPG COMPR	SPG COMPR	1	
	1402-910-2201	1402-910-2201	VACUUM PISTON COMP	VACUUM PISTON COMP	1	
	1610K	1610K-KHC4-B50	CARBURETOR ASSY	CARBURETOR ASSY	1	
	16162	16162-KG8-9010-M1	DRAIN SCREW PAN	DRAIN SCREW PAN	1	
	16199	16199-GFY6-900	TUBE SET	TUBE SET	1	
	4000-160-0001	4000-160-0001	AUTO BYSTARTER SET	AUTO BYSTARTER SET	1	
	4115-803-1100	4115-803-1100	SCREW PAN	SCREW PAN	1	
	4115-804-1100	4115-804-1100	SCREW PAN	SCREW PAN	1	

E09

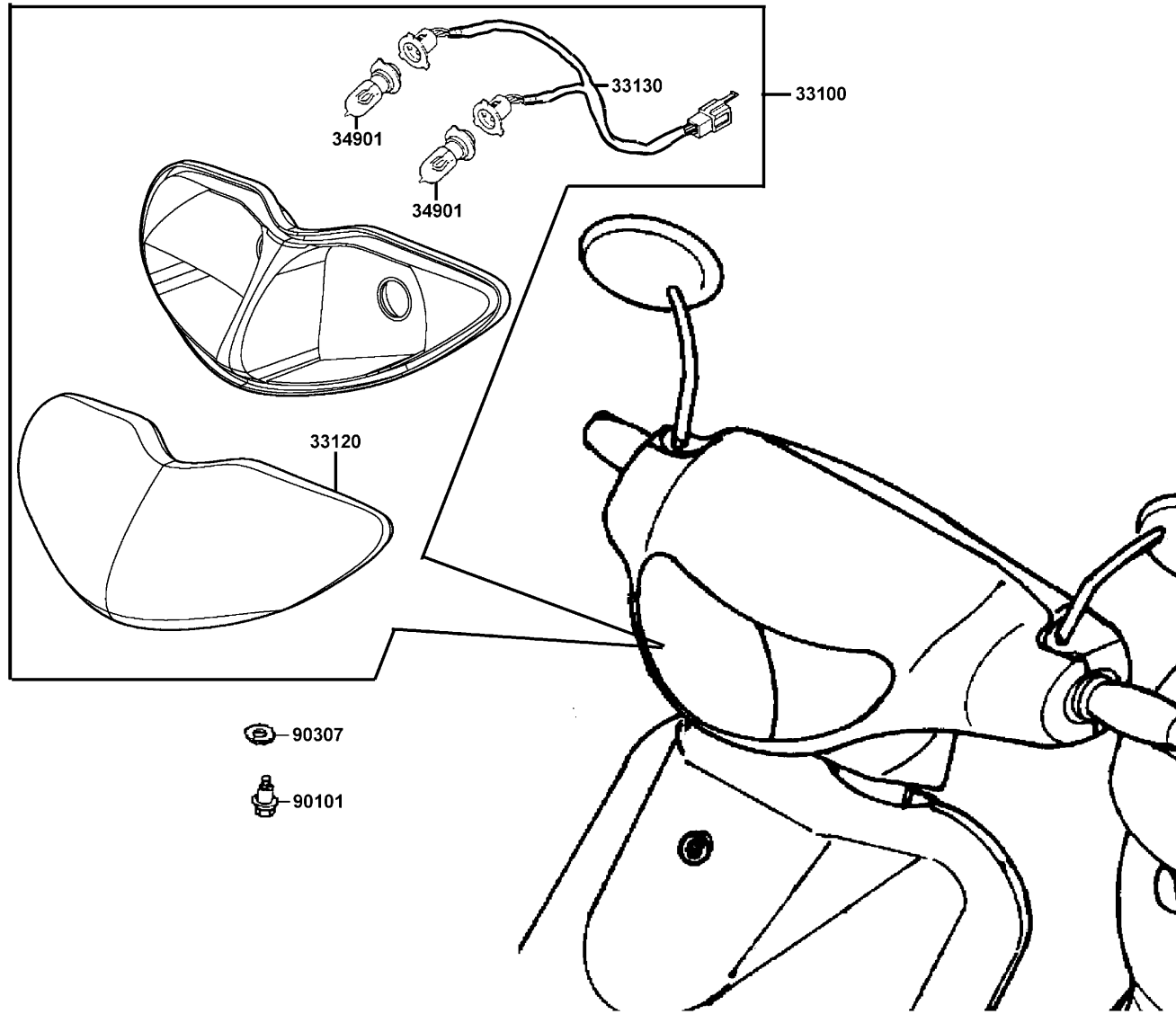
Carburetor



Sales mark	Ref no	Part no	Description	Reg description	Regd no	E09
	93500-04008-1H	93500-04008-1H-3	SCREW PAN	SCREW PAN	4	
	93500-04010-1H	93500-04010-1H	SCREW PAN	SCREW PAN	2	
	93500-04012-1H	93500-04012-1H	SCREW PAN	SCREW PAN	3	
	93892-04008-18	93892-04008-18	SCREW WASHER	SCREW WASHER	2	
	95002	95002-02070	CLIP B7 TUBE	CLIP B7 TUBE	1	
	99101-116-0900	99101-116-0900	JET 80#	JET 80#	1	
	K446-A31-0100	K446-A31-0100	SCREW SET	SCREW SET	1	
	N413-18C00	N413-18C00	NEEDLE JET HOLDER	NEEDLE JET HOLDER	1	
	N423-09A35	N423-09A35	SLOW JET	SLOW JET	1	
	N425-4HLLN	N425-4HLLN	JET NEEDLE COMP	JET NEEDLE COMP	1	
	N426-33C00	N426-33C00	NEEDLE JET	NEEDLE JET	1	
	S7860-112-B000	S7860-112-B000	TUBE SET	TUBE SET	1	
	W1470-MW0-7500	W1470-MW0-7500	DIAPHRAGM COMP	DIAPHRAGM COMP	1	
	W9353-36000	W9353-36000	U RING	U RING	2	
	W9525-25250	W9525-25250	ARM PIN	ARM PIN	1	
	Y1901-001-3500	Y1901-001-3500	FLOAT CHAMBER SET	FLOAT CHAMBER SET	1	
	Y1901-002-0100	Y1901-002-0100	SCREW SET (S.S)	SCREW SET (S.S)	1	
	Z062-0060	Z062-0060	FLOAT VALVE SET	FLOAT VALVE SET	1	

F01

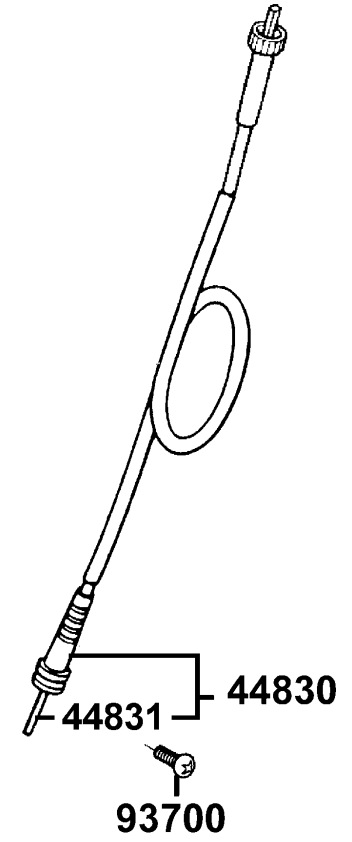
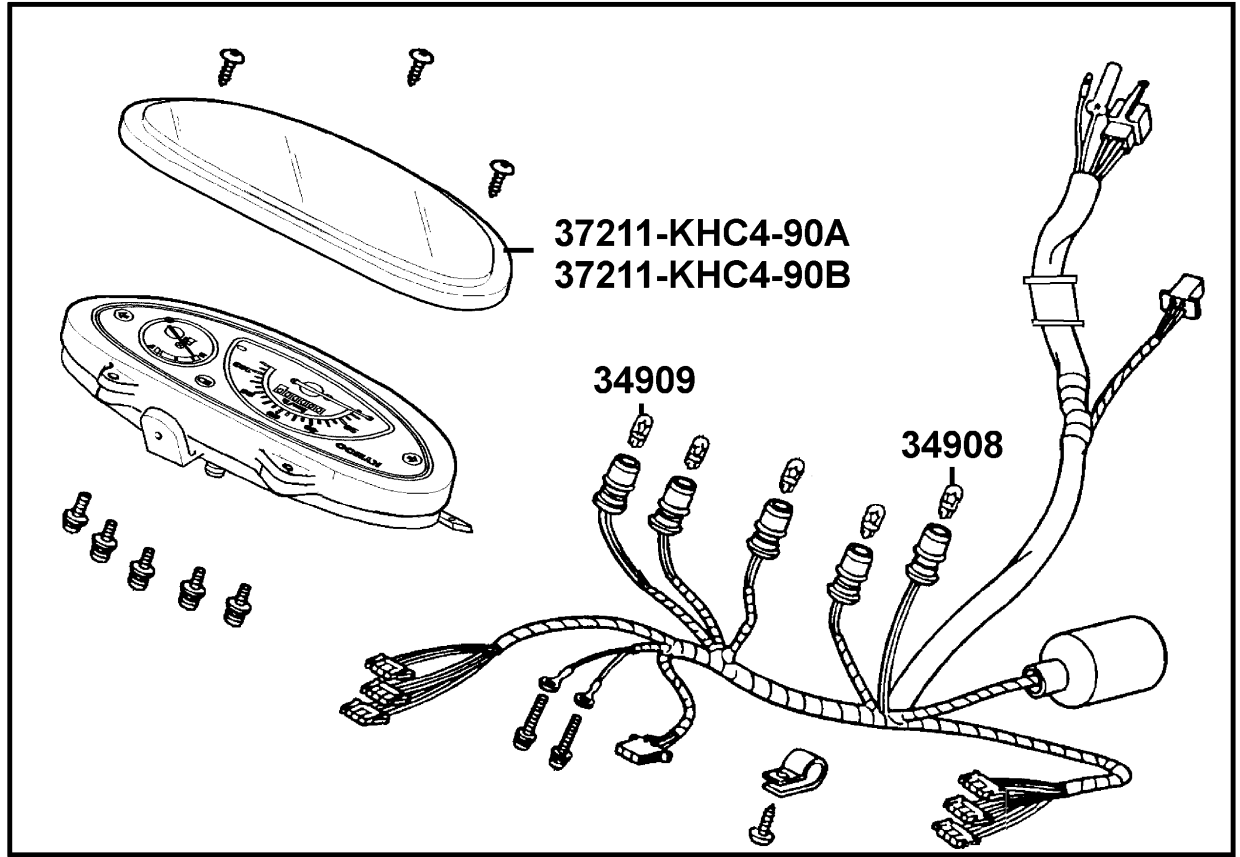
Head Light



Sales mark	Ref no	Part no	Description	Reg description	Regd no	F01
	33100	33100-KHC4-900	LIGHT ASSY HEAD	LIGHT ASSY HEAD	1	
	33120	33120-KHC4-900	UNIT HEAD LIGHT	UNIT HEAD LIGHT	1	
	33130	33130-KHC4-900	SOCKET COMP	SOCKET COMP	1	
	34901	34901-KYBY-900	BULB HEAD LIGHT	BULB HEAD LIGHT	2	
	90101	90101-GAR1-001	BOLT ADJUST	BOLT ADJUST	1	
	90307	90307-GFJ6-004	WASHER LOCK 6MM	WASHER LOCK 6MM	1	

F02

Speedometer



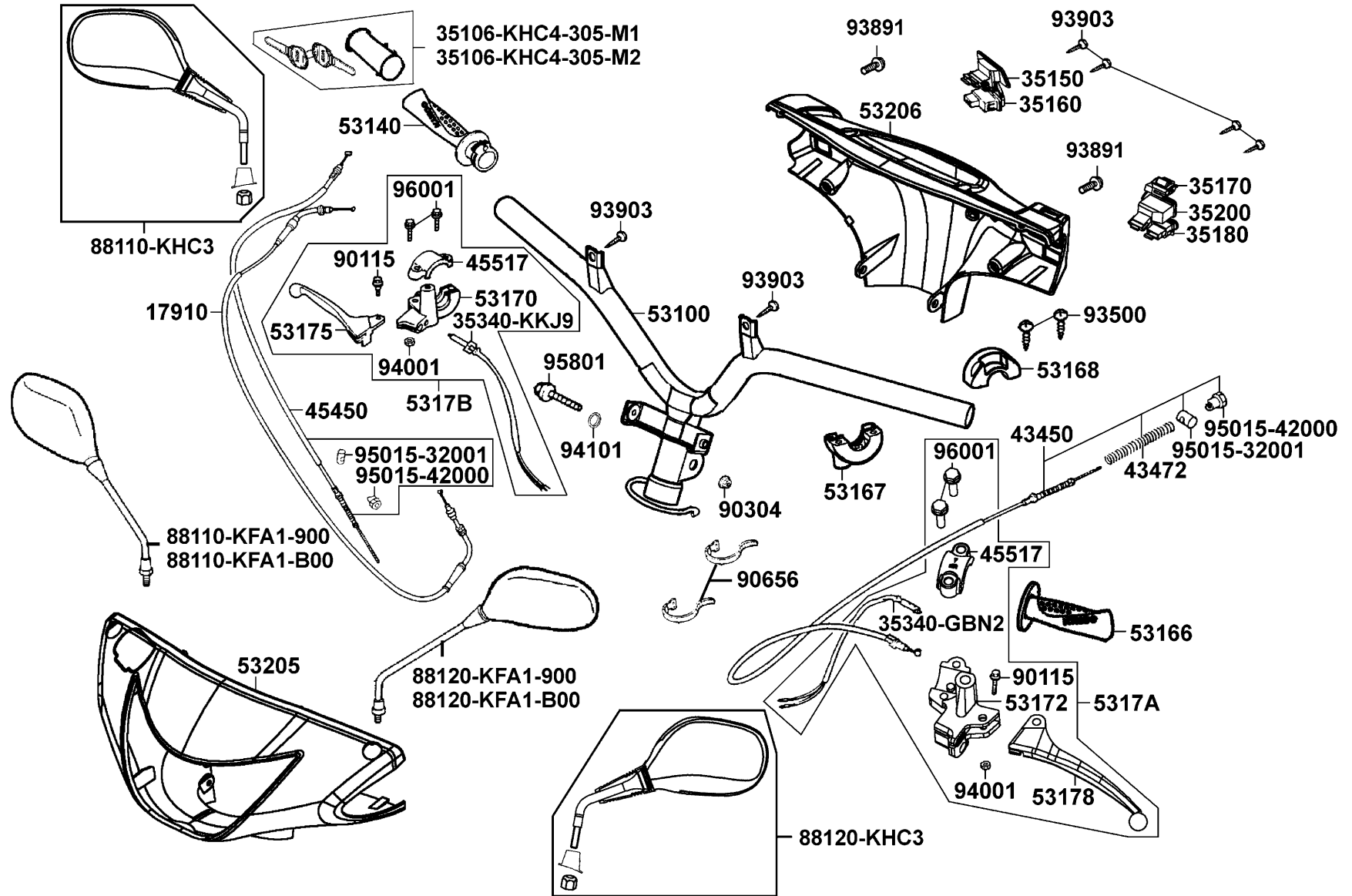
Sales mark	Ref no	Part no	Description	Reg description	Regd no	F02
	34908	34908-MKB9-87A	BULB WEDGE BASE	BULB WEDGE BASE	3	
	34909	34909-KEBE-900	BULB WEDGE BASE T6.5	BULB WEDGE BASE T6.5	2	
	37200-KHC4-B0A	37200-KHC4-B0A	SPEED METER ASSY	SPEED METER ASSY	1	
	37200-KHC4-B0B	37200-KHC4-B0B	SPEED METER ASSY	SPEED METER ASSY	1	
	37211-KHC4-90A	37211-KHC4-90A	LENS	LENS	1	
	37211-KHC4-90B	37211-KHC4-90B	LENS	LENS	1	
	44830	44830-KHC4-800	CABLE COMP SPDMT	CABLE COMP SPDMT	1	
	44831	44831-KHC4-800	CABLE INNER	CABLE INNER	1	
	93700	93700-05018-0H	SCREW OVAL 5*18	SCREW OVAL 5*18	1	
	93903	93903-35320	SCREW TAPPING 5*16	SCREW TAPPING 5*16	3	

Sales mark	Ref no	Part no	Description	Reg description	Regd no	F03
	17910	17910-KHC4-900	CABLE COMP THROT	CABLE COMP THROT	1	
	35106-KHC4-305-M1	35106-KHC4-305-M1	LOCK SET THROT GRIP	LOCK SET THROT GRIP	1	
	35106-KHC4-305-M2	35106-KHC4-305-M2	LOCK SET THROT GRIP	LOCK SET THROT GRIP	1	
	35150	35150-GFY6-900	SW UNIT LIGHTING	SW UNIT LIGHTING	1	
	35160	35160-GGS7-900	SW UNIT STARTER	SW UNIT STARTER	1	
	35170	35170-GGS7-900	SW UNIT DIMMER	SW UNIT DIMMER	1	
	35180	35180-GGS7-900	SW UNIT HORN	SW UNIT HORN	1	
	35200	35200-GFY6-910	SW UNIT WINKER	SW UNIT WINKER	1	
	35340-GBN2	35340-GBN2-770	SW ASSY FR STOP	SW ASSY FR STOP	1	
	35340-KKJ9	35340-KKJ9-010	SW ASSY FR STOP	SW ASSY FR STOP	1	
	43450	43450-KHC4-B00	CABLE COMP RR BRK	CABLE COMP RR BRK	1	
	43472	43472-1A61-001	SPG RR BRK ARM	SPG RR BRK ARM	1	
	45450	45450-KFA2-900	CABLE COMP FR BRK	CABLE COMP FR BRK	1	
	45517	45517-GFY6-900	HOLDER HNDL BRKT	HOLDER HNDL BRKT	2	
	53100	53100-KHC4-900	HANDLE COMP STRG	HANDLE COMP STRG	1	
**	53140	53140-KHC4-900	GRIP COMP THROT	GRIP COMP THROT	1	
**	53166	53166-KFA1-900	GRIP L HANDLE **(1) C.2005.04.25	GRIP L HANDLE **(1) C.2005.04.25	1	
	53167	53167-KFA1-900	HOUSING UND THROT	HOUSING UND THROT	1	
	53168	53168-KFA1-900	HOUSING UP THROT	HOUSING UP THROT	1	
	53170	53170-KHC3-900	BRKT HANDLE RH	BRKT HANDLE RH	1	

Sales mark	Ref no	Part no	Description	Reg description	Regd no	F03
	53172	53172-KHC4-900	BRKT L STRG HANDLE	BRKT L STRG HANDLE	1	
**	53175	53175-KHC3-900	LEVER STRG HANDLE	LEVER STRG HANDLE	1	
**	53178	53178-KHC4-900	LEVER L STRG HANDLE	LEVER L STRG HANDLE	1	
	5317A	5317A-KHC4-900	BRKT ASSY HNDL L	BRKT ASSY HNDL L	1	
	5317B	5317B-KHC3-900	BRKT ASSY HNDL R	BRKT ASSY HNDL R	1	
**	53205	53205-KHC3-900	COVER FR HANDLE	COVER FR HANDLE	1	
**	53206	53206-KHC4-900	COVER HANDLE RR	COVER HANDLE RR	1	
	88110-KFA1-900	88110-KFA1-900	MIRROR ASSY R BACK	MIRROR ASSY R BACK	1	
	88110-KFA1-B00	88110-KFA1-B00	MIRROR ASSY R BACK	MIRROR ASSY R BACK	1	
	88110-KHC3	88110-KHC3-900	MIRROR ASSY R BACK	MIRROR ASSY R BACK	1	
	88120-KFA1-900	88120-KFA1-900	MIRROR ASSY L BACK	MIRROR ASSY L BACK	1	
	88120-KFA1-B00	88120-KFA1-B00	MIRROR ASSY L BACK	MIRROR ASSY L BACK	1	
	88120-KHC3	88120-KHC3-900	MIRROR ASSY L BACK	MIRROR ASSY L BACK	1	
	90115	90115-GLE0-001	BOLT HNDL LEVER PIVOT	BOLT HNDL LEVER PIVOT	2	
	90304	90304-GHE8-004	NUT U 10MM	NUT U 10MM	1	
	90656	90656-GFY6-911	BAND OIL HOSE	BAND OIL HOSE	2	
	93500	93500-05022-06	SCREW PAN 5*22	SCREW PAN 5*22	2	
	93891	93891-05012-06	SCREW WASHER 5*12	SCREW WASHER 5*12	2	
	93903	93903-34360	SCREW TAPPING 4*12	SCREW TAPPING 4*12	6	
	94001	94001-05080-0S	NUT HEX 5MM	NUT HEX 5MM	2	

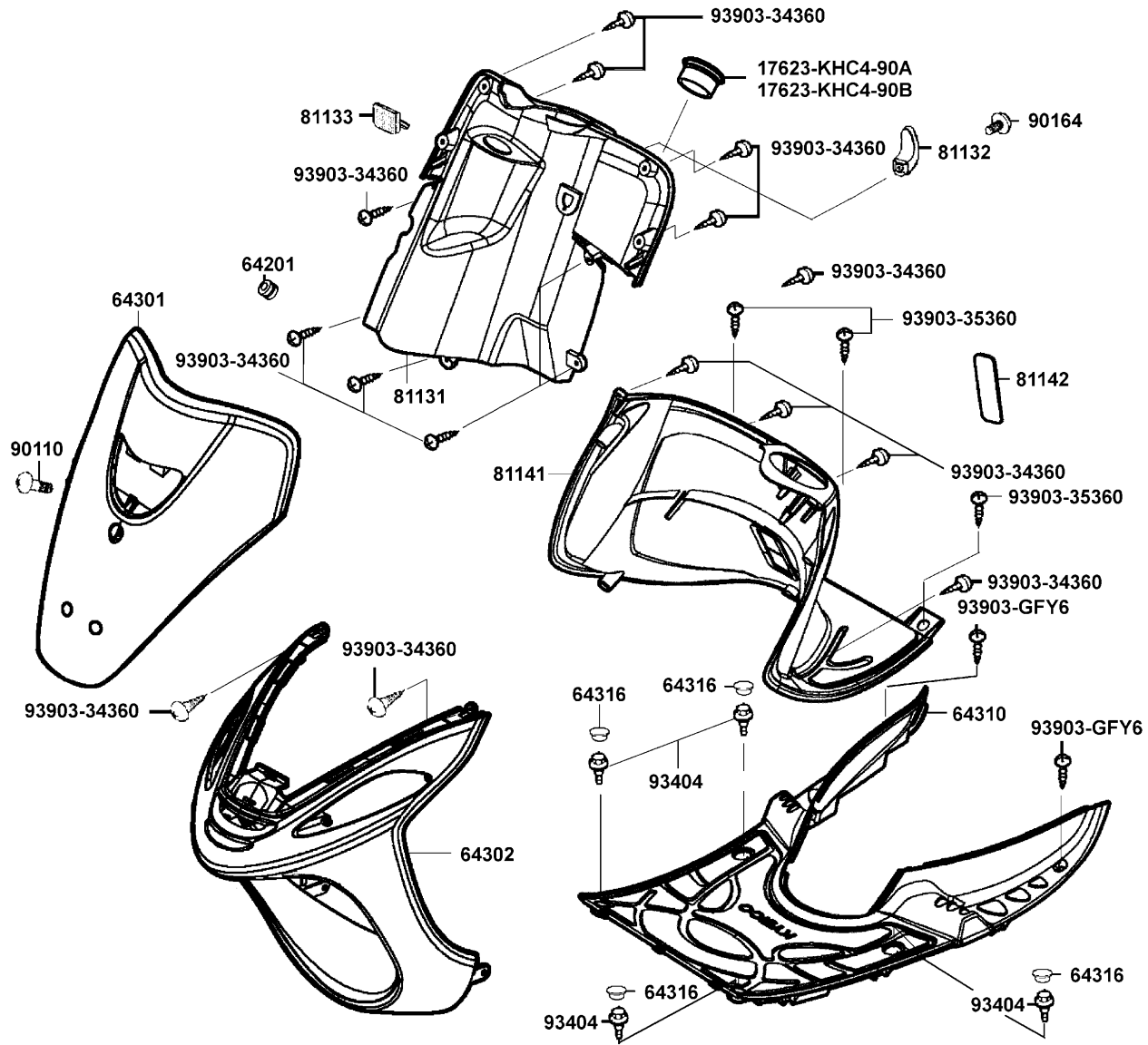
F03

Handle SteeringHandle Cover



Sales mark	Ref no	Part no	Description	Reg description	Regd no	F03
	94101	94101-10800	WASHER PLAIN 10MM	WASHER PLAIN 10MM	1	
	95015-32001	95015-32001	JOINT B BRAKE ARM	JOINT B BRAKE ARM	2	
	95015-42000	95015-42000	NUT B ADJUST	NUT B ADJUST	2	
	95801	95801-10040-08	BOLT FLANGE 10*40	BOLT FLANGE 10*40	1	
	96001	96001-06025-06	BOLT FLANGE 6*25	BOLT FLANGE 6*25	4	

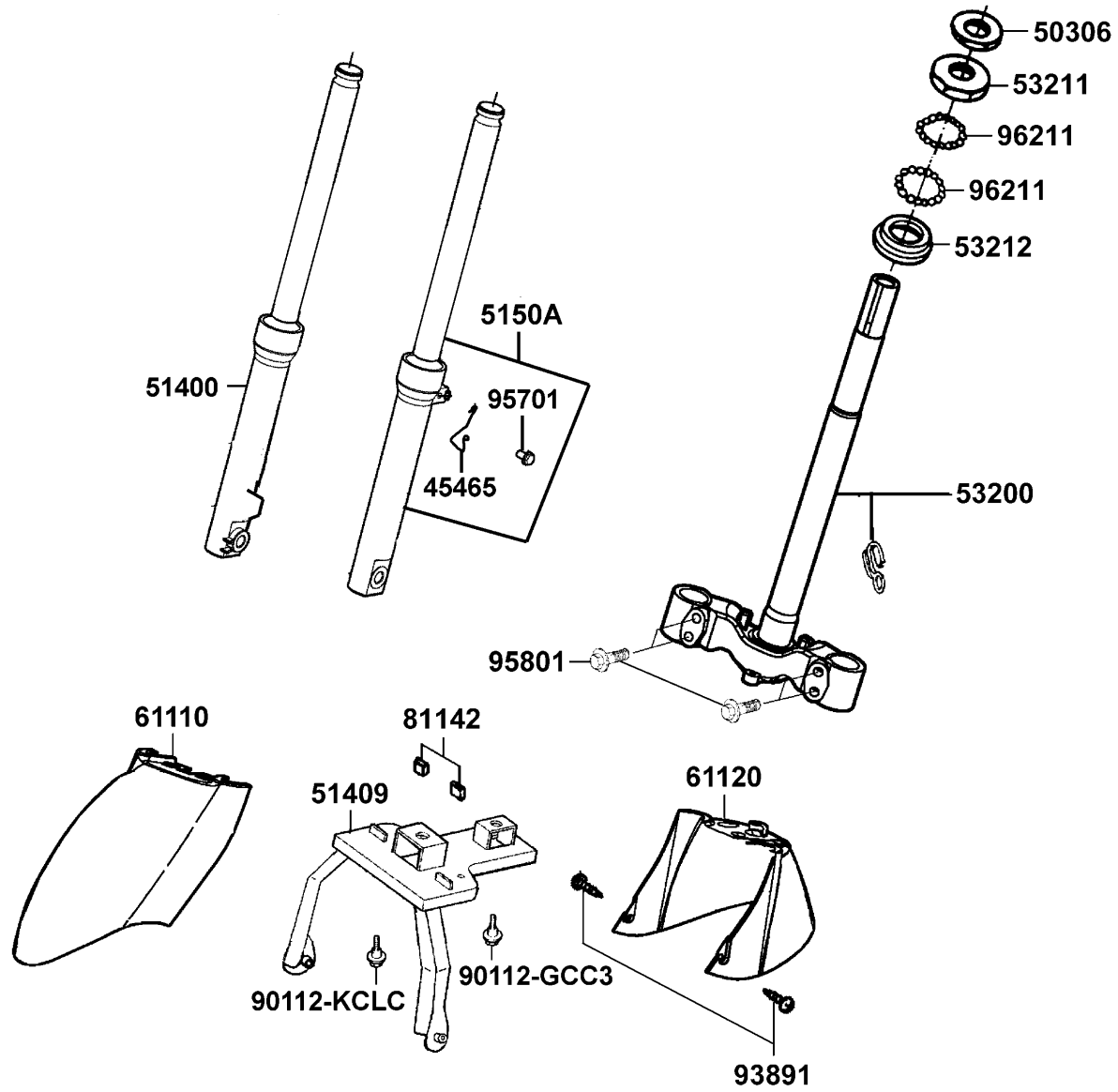
Front CoverFloor Panel



Sales mark	Ref no	Part no	Description	Reg description	Regd no	F04
	17623-KHC4-90A	17623-KHC4-90A	COLLAR FUEL CAP	COLLAR FUEL CAP	1	
	17623-KHC4-90B	17623-KHC4-90B	COLLAR FUEL CAP	COLLAR FUEL CAP	1	
	64201	64201-KHE1-B50	RUBBER FR COVER	RUBBER FR COVER	1	
**	64301	64301-KHC3-B00	COVER FRONT	COVER FRONT	1	
**	64302	64302-KHC3-900	FRONT MOLD	FRONT MOLD	1	
**	64310	64310-KHC4-900	PANEL FLOOR	PANEL FLOOR	1	
**	64316	64316-KHC4-900	PLUG FLOOR	PLUG FLOOR	4	
**	81131	81131-KHC4-900	LEG SHIELD UP	LEG SHIELD UP	1	
	81133	81133-KNBN-901	STOPPER LUGGAGE	STOPPER LUGGAGE	1	
**	81141	81141-KHC4-900	LEG SHIELD LOW	LEG SHIELD LOW	1	
	90110	90110-GLW0-001	SCREW SPECIAL 6*14	SCREW SPECIAL 6*14	1	
	90164	90164-MDR4-901	SCREW SPECIAL 6MM	SCREW SPECIAL 6MM	1	
	93404	93404-06016-06	BOLT WASHER 6*16	BOLT WASHER 6*16	4	
	93903-34360	93903-34360	SCREW TAPPING 4*12	SCREW TAPPING 4*12	15	
	93903-35360	93903-35360	SCREW TAPPING 5*16	SCREW TAPPING 5*16	3	
	93903-GFY6	93903-GFY6-900	SCREW TAPPING 4*14	SCREW TAPPING 4*14	2	

F05

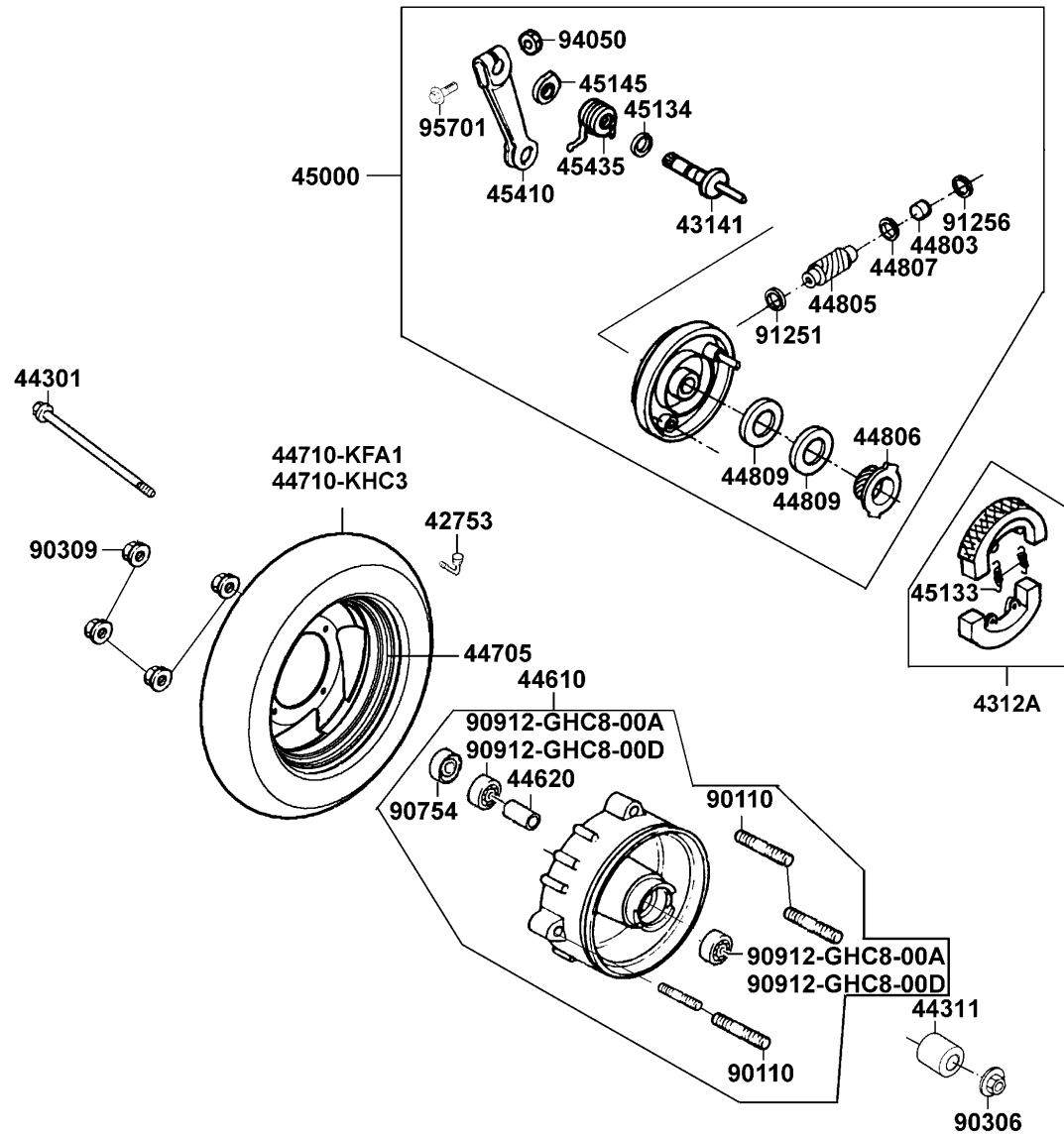
Stem SteeringFront Fork



Sales mark	Ref no	Part no	Description	Reg description	Regd no	F05
	45465	45465-KFB5-900	GUIDE CABLE SPDMT	GUIDE CABLE SPDMT	1	
	50306	50306-1F96-001	NUT STRG STEM LOCK	NUT STRG STEM LOCK	1	
**	51400	51400-KHC3-900	FORK ASSY R FR	FORK ASSY R FR	1	
	51409	51409-KFA2-900	STAY FENDER FR	STAY FENDER FR	1	
**	5150A	5150A-KHC3-900	FORK ASSY L FR	FORK ASSY L FR	1	
	53200	53200-KFA2-900	STEM COMP STRG	STEM COMP STRG	1	
	53211	53211-GFY6-940	RACE STRG TOP CONE	RACE STRG TOP CONE	1	
	53212	53212-GHC8-004	RACE (STRG BOTTOM) CONE	RACE (STRG BOTTOM) CONE	1	
**	61110	61110-KFA2-900	FENDER FR A	FENDER FR A	1	
**	61120	61120-KFA2-900	FENDER FR B	FENDER FR B	1	
	81142	81142-KCLC-900	RUBBER LID STOPPER	RUBBER LID STOPPER	2	
	90112-GCC3	90112-GCC3-001	BOLT SPECIAL 5MM	BOLT SPECIAL 5MM	1	
	90112-KCLC	90112-KCLC-900	BOLT SPECIAL 5MM	BOLT SPECIAL 5MM	1	
	93891	93891-06016-06	SCREW WASHER 6X16	SCREW WASHER 6X16	2	
	95701	95701-06012-08	BOLT FLANGE 6*12	BOLT FLANGE 6*12	1	
	95801	95801-08040-08	BOLT FLANGE 8*40	BOLT FLANGE 8*40	4	
	96211	96211-05000	BALL STEEL 5	BALL STEEL 5	55	

F06

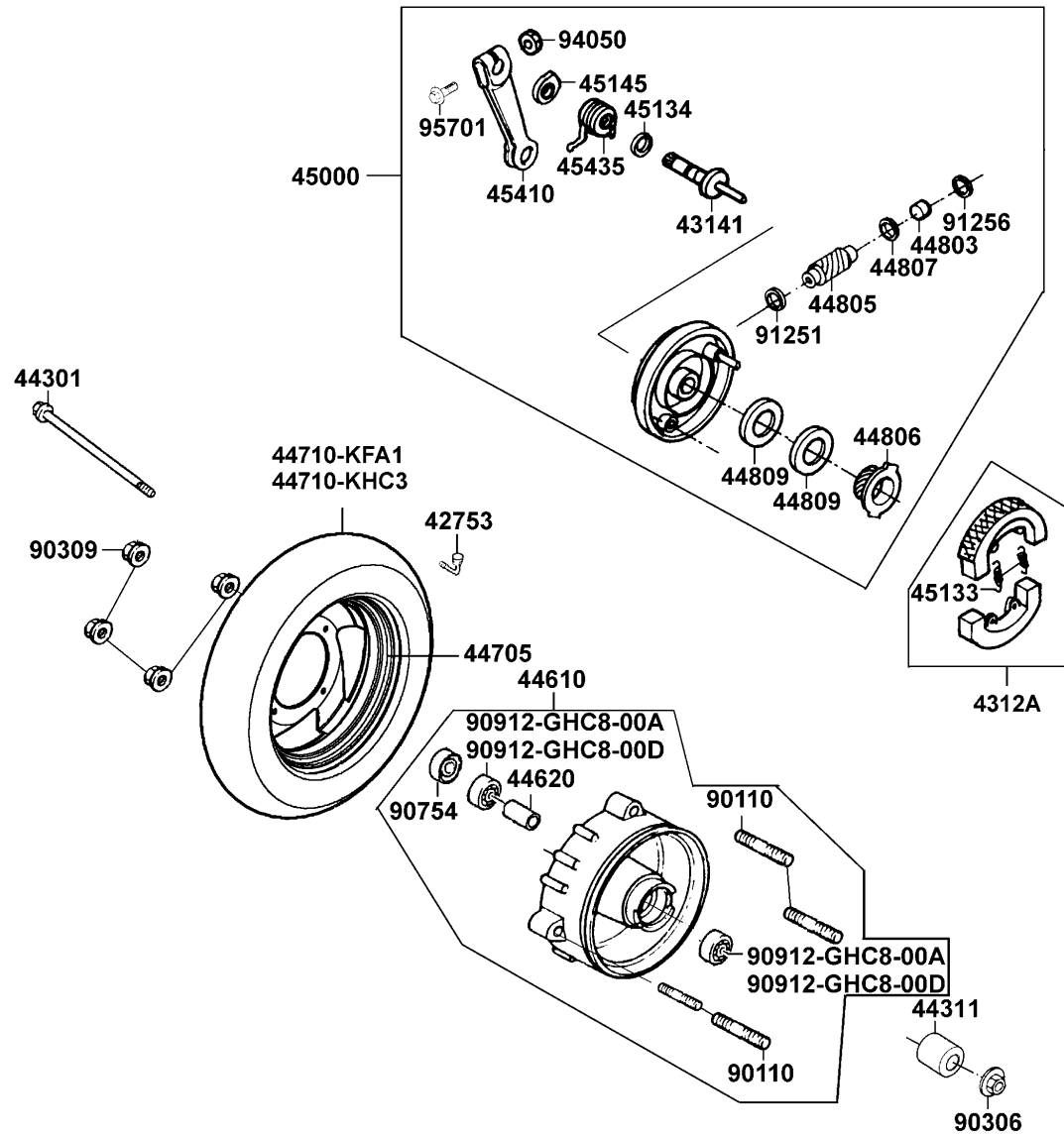
Front Wheel



Sales mark	Ref no	Part no	Description	Reg description	Regd no	F06
	42753	42753-0D04-900	RIM VALVE (PVR 70)	RIM VALVE (PVR 70)	1	
	4312A	4312A-KXCX-900	SHOE ASSY RR BRAKE	SHOE ASSY RR BRAKE	1	
	43141	43141-4L00-011	CAM REAR BRAKE	CAM REAR BRAKE	1	
	44301	44301-KBE2-981	AXLE FR WHEEL	AXLE FR WHEEL	1	
	44311	44311-GLW0-901	COLLAR FR WHEEL SIDE	COLLAR FR WHEEL SIDE	1	
**	44610	44610-GLW0-305	HUB SUB ASSY FR	HUB SUB ASSY FR	1	
	44620	44620-GHC8-001	COLLAR FR AXLE DISTANCE	COLLAR FR AXLE DISTANCE	1	
**	44705	44705-KHC4-900	RIM COMP FR WHEEL	RIM COMP FR WHEEL	1	
	44710-KFA1	44710-KFA1-90B	TIRE ASSY FR	TIRE ASSY FR	1	
	44710-KHC3	44710-KHC3-B50	TIRE ASSY	TIRE ASSY	1	
	44803	44803-GFY6-90A	BUSH PINION	BUSH PINION	1	
	44805	44805-GGC7-004	PINION SPDMT	PINION SPDMT	1	
	44806	44806-GGC7-004	GEAR SPEEDMETER	GEAR SPEEDMETER	1	
	44807	44807-0A01-004	WASHER GEAR BOX PINION	WASHER GEAR BOX PINION	1	
	44809	44809-1L70-004	WASHER SPEEDOMETER GEAR	WASHER SPEEDOMETER GEAR	2	
**	45000	45000-GLW0-305	PANEL ASSY FR BRK	PANEL ASSY FR BRK	1	
	45133	45133-0H28-001	SPRING BRAKE SHOE	SPRING BRAKE SHOE	2	
	45134	45134-2L50-001	BRAKE CAM DUST SEAL	BRAKE CAM DUST SEAL	1	
	45145	45145-0F96-651	INDICATOR FRONT BRAKE	INDICATOR FRONT BRAKE	1	
	45410	45410-GBB2-001	ARM FRONT BRAKE	ARM FRONT BRAKE	1	

F06

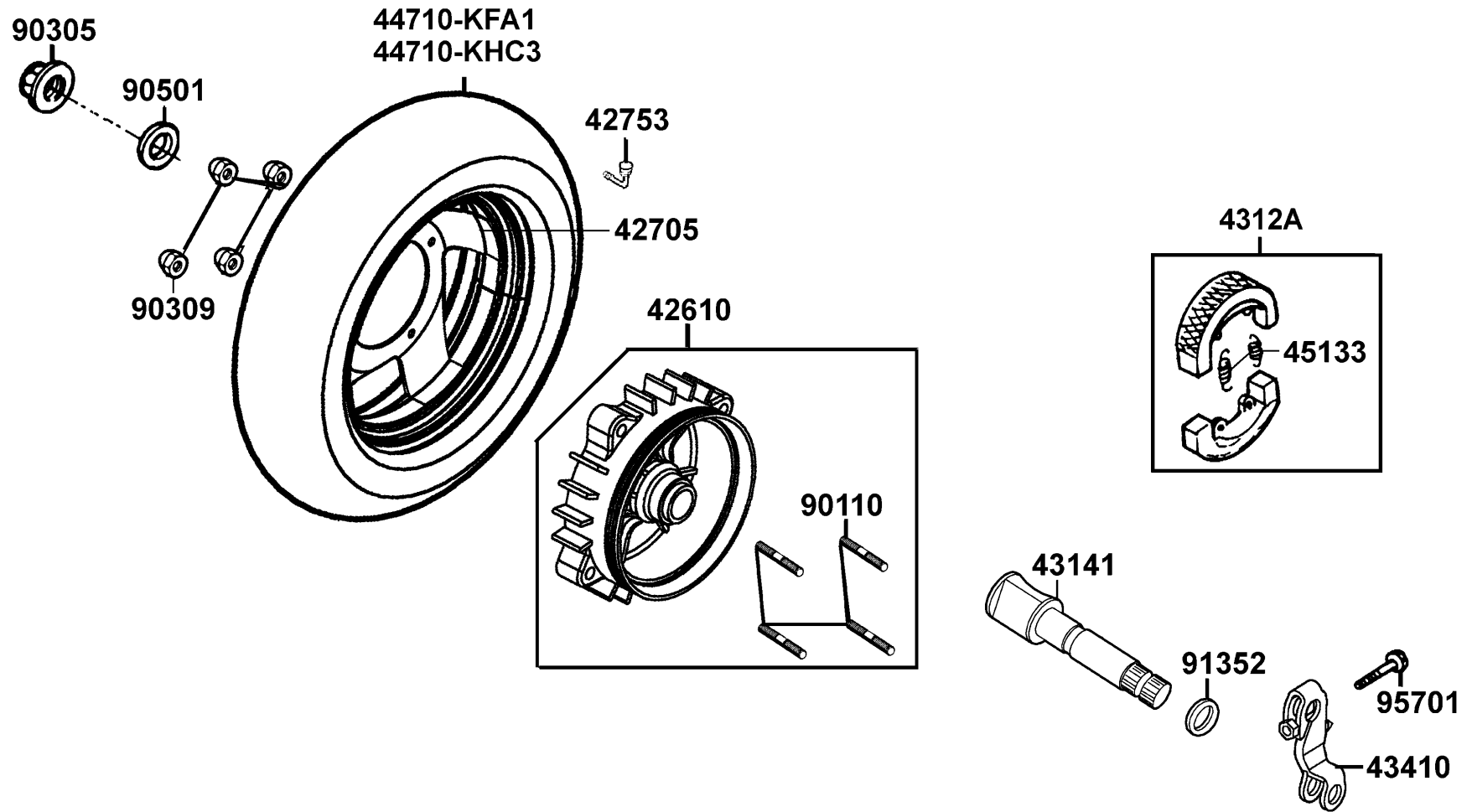
Front Wheel



Sales mark	Ref no	Part no	Description	Reg description	Regd no	F06
	45435	45435-GBB2-721	SPG BRK ARM RETURN	SPG BRK ARM RETURN	1	
	90110	90110-KHG8-901	BOLT STUD2 8*22	BOLT STUD2 8*22	4	
	90306	90306-KLF0-004-SY	NUT FLANGE 12MM	NUT FLANGE 12MM	1	
	90309	90309-GLW0-90A	NUT U FLANGE 8MM	NUT U FLANGE 8MM	4	
	90754	90754-GHC8-00A	SEAL DUST 20*32*5	SEAL DUST 20*32*5	1	
	90912-GHC8-00A	90912-GHC8-00A	BEARING 6201	BEARING 6201	2	
	90912-GHC8-00D	90912-GHC8-00D	BEARING 6201	BEARING 6201	2	
	91251	91251-GHC8-004	SEAL OIL 41*51*5	SEAL OIL 41*51*5	1	
	91256	91256-GAC1-004	SEAL DUST	SEAL DUST	1	
	94050	94050-06080	NUT FLANGE 6MM	NUT FLANGE 6MM	1	
	95701	95701-06028-08	BOLT FLANGE 6*28	BOLT FLANGE 6*28	1	

F07

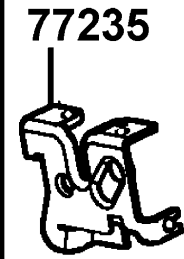
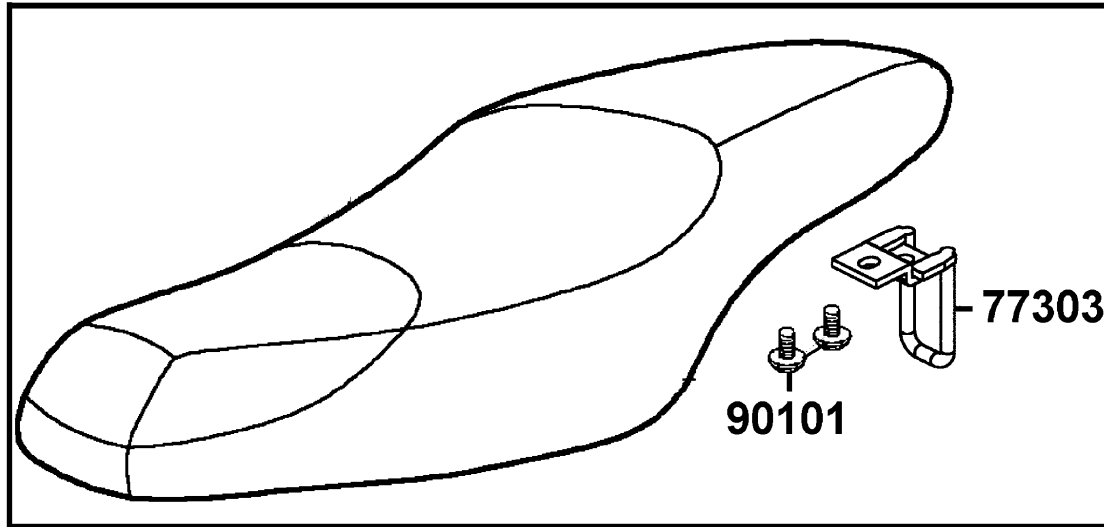
Rear Wheel



Sales mark	Ref no	Part no	Description	Reg description	Regd no	F07
**	42610	42610-GKAK-901	HUB SUB COMP RR	HUB SUB COMP RR	1	
**	42705	42705-KHC4-900	RIM COMP WHEEL	RIM COMP WHEEL	1	
	42753	42753-0D04-900	RIM VALVE (PVR 70)	RIM VALVE (PVR 70)	1	
	4312A	4312A-LBC6-900	SHOE ASSY REAR BRAKE	SHOE ASSY REAR BRAKE	1	
	43141	43141-GKAK-901	CAM RR BRAKE	CAM RR BRAKE	1	
	43410	43410-KFA1-900	ARM COMP RR BRAKE	ARM COMP RR BRAKE	1	
	44710-KFA1	44710-KFA1-90B	TIRE ASSY FR	TIRE ASSY FR	1	
	44710-KHC3	44710-KHC3-B50	TIRE ASSY	TIRE ASSY	1	
	45133	45133-0H28-001	SPRING BRAKE SHOE	SPRING BRAKE SHOE	2	
	90110	90110-KHG8-901	BOLT STUD2 8*22	BOLT STUD2 8*22	4	
	90305	90305-KNBN-90B	NUT U 16MM	NUT U 16MM	1	
	90309	90309-GLW0-90A	NUT U FLANGE 8MM	NUT U FLANGE 8MM	4	
	90501	90501-KNBN-901	WASHER 16MM	WASHER 16MM	1	
	91352	91352-KHG8-83B	O-RING 11.3*1.3	O-RING 11.3*1.3	1	
	95701	95701-06032-08	BOLT FLANGE 6*32	BOLT FLANGE 6*32	1	

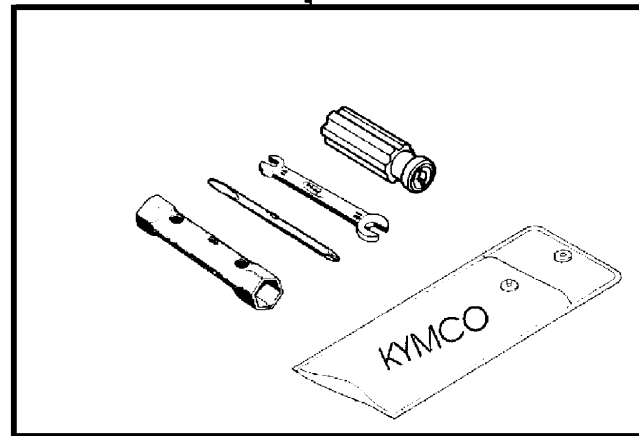
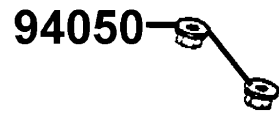
F08

Seat

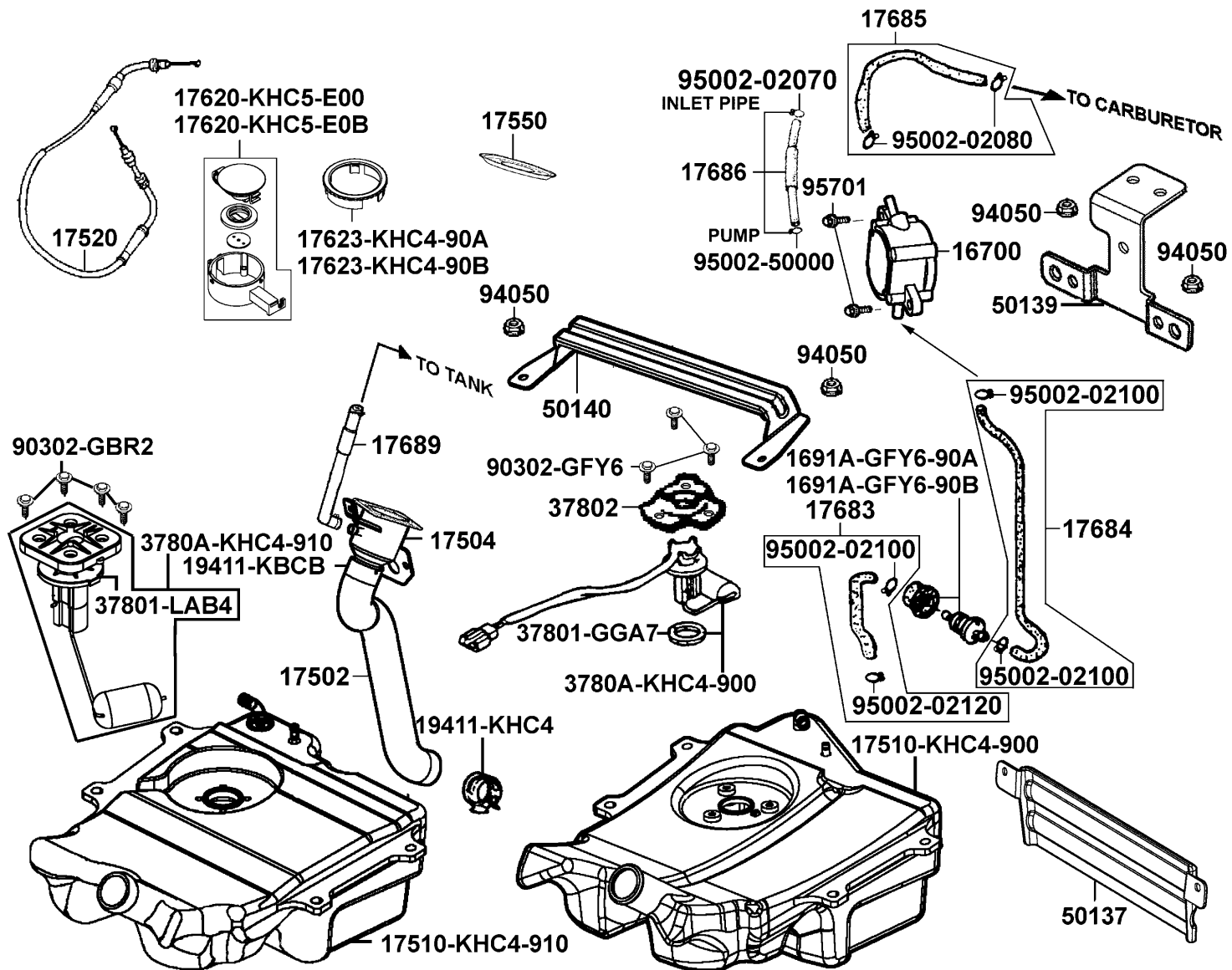


77200-KHC4-B00
77200-KHC4-B50

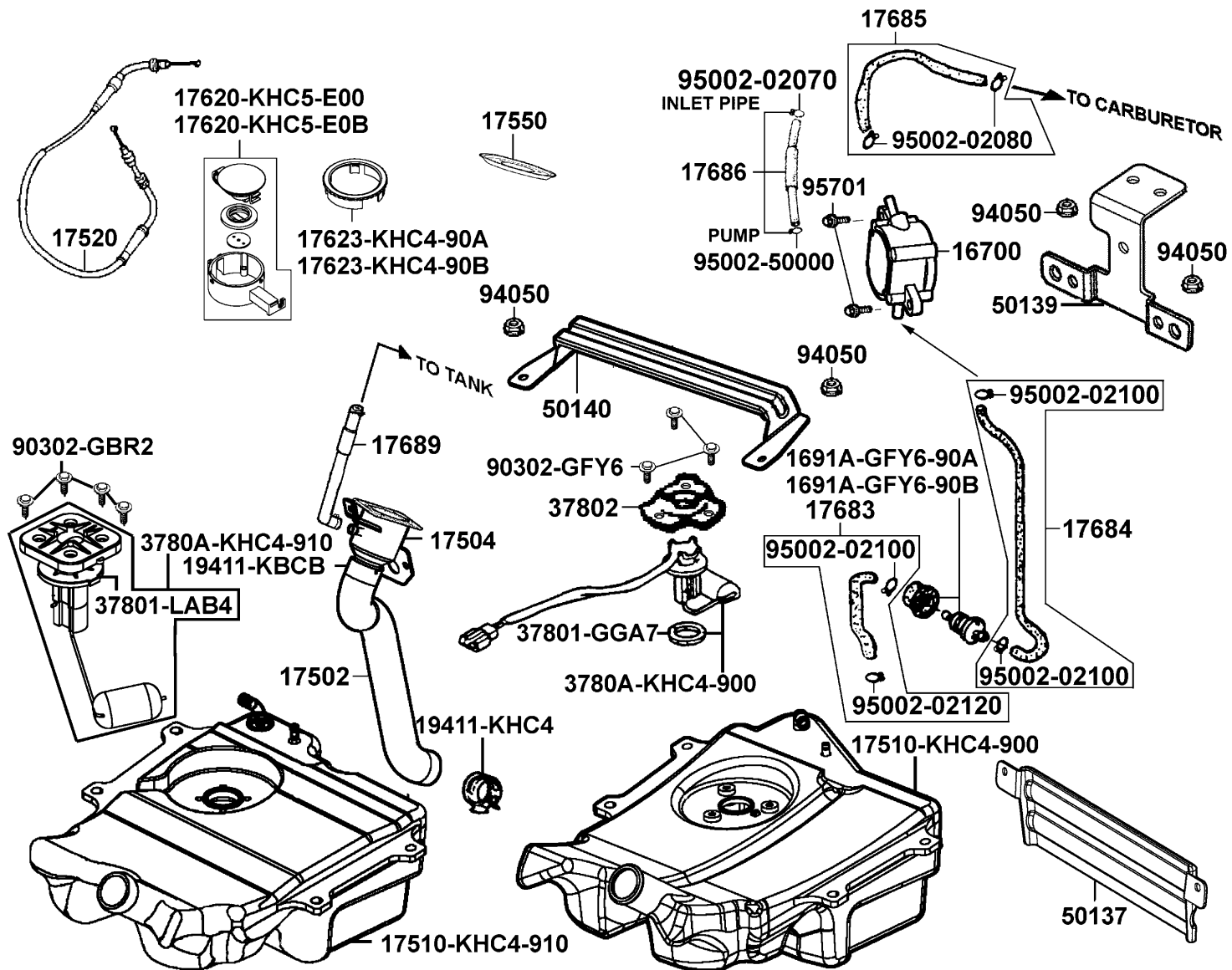
89010 95701



Sales mark	Ref no	Part no	Description	Reg description	Regd no	F08
**	77200-KHC4-B00	77200-KHC4-B00	SEAT ASSY	SEAT ASSY	1	
**	77200-KHC4-B50	77200-KHC4-B50	SEAT ASSY	SEAT ASSY	1	
	77235	77235-KHC4-900	SEAT CATCH COMP	SEAT CATCH COMP	1	
	77303	77303-KHC4-900	HOOK SEAT LOCK	HOOK SEAT LOCK	1	
	89010	89010-KGBG-900	TOOL SET	TOOL SET	1	
	90101	90101-KGC4-E00	SCREW SPECIAL 6*15	SCREW SPECIAL 6*15	2	
	94050	94050-06080	NUT FLANGE 6MM	NUT FLANGE 6MM	2	
	95701	95701-06012-08	BOLT FLANGE 6*12	BOLT FLANGE 6*12	1	



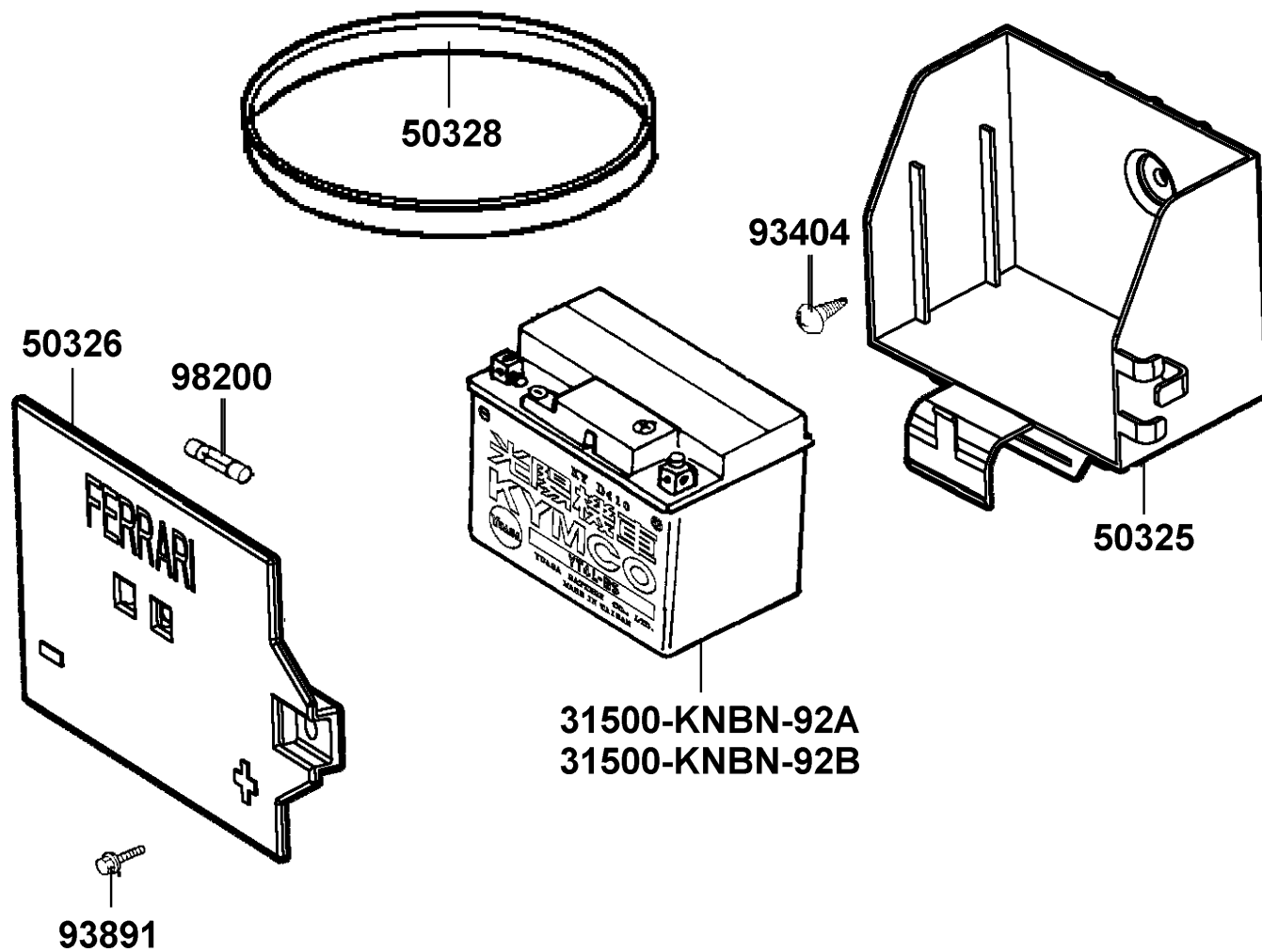
Sales mark	Ref no	Part no	Description	Reg description	Regd no	F09
	16700	16700-GKAK-220	FUEL PUMP ASSY	FUEL PUMP ASSY	1	
	1691A-GFY6-90A	1691A-GFY6-90A	STRAINER ASSY FUEL	STRAINER ASSY FUEL	1	
	1691A-GFY6-90B	1691A-GFY6-90B	STRAINER ASSY FUEL	STRAINER ASSY FUEL	1	
	17502	17502-KHC4-900	HOSE FUEL	HOSE FUEL	1	
	17504	17504-KHC5-E00	PIPE COMP FUEL FILLER	PIPE COMP FUEL FILLER	1	
	17510-KHC4-900	17510-KHC4-900	FUEL TANK COMP	FUEL TANK COMP	1	
	17510-KHC4-910	17510-KHC4-910	FUEL TANK COMP	FUEL TANK COMP	1	
	17520	17520-KHC4-900	CABLE COMP FUEL CAP	CABLE COMP FUEL CAP	1	
	17550	17550-KHC4-900	TRAY FUEL CAP	TRAY FUEL CAP	1	
	17620-KHC5-E00	17620-KHC5-E00	CAP COMP FUEL FILLER	CAP COMP FUEL FILLER	1	
	17620-KHC5-E0B	17620-KHC5-E0B	CAP COMP FUEL FILLER	CAP COMP FUEL FILLER	1	
	17623-KHC4-90A	17623-KHC4-90A	COLLAR FUEL CAP	COLLAR FUEL CAP	1	
	17623-KHC4-90B	17623-KHC4-90B	COLLAR FUEL CAP	COLLAR FUEL CAP	1	
	17683	17683-KHC4-900	TUBE TANK-STRAINER	TUBE TANK-STRAINER	1	
	17684	17684-KHC4-900	TUBE STRAINER-PUMP	TUBE STRAINER-PUMP	1	
	17685	17685-KHC4-900	TUBE PUMP-CARB	TUBE PUMP-CARB	1	
	17686	17686-KHC4-900	TUBE PUMP-INLET PIPE	TUBE PUMP-INLET PIPE	1	
	17689	17689-KHC5-E00	TUBE TANK-CAP JOINT	TUBE TANK-CAP JOINT	1	
	19411-KBCB	19411-KBCB-900	CLIP HOSE	CLIP HOSE	1	
	19411-KHC4	19411-KHC4-900	CLIP HOSE	CLIP HOSE	1	



Sales mark	Ref no	Part no	Description	Reg description	Regd no	F09
	37801-GGA7	37801-GGA7-701	PACKING BASE	PACKING BASE	1	
	37801-LAB4	37801-LAB4-910	PACKING BASE	PACKING BASE	1	
	37802	37802-KEC8-900	RET FUEL UNIT	RET FUEL UNIT	1	
	3780A-KHC4-900	3780A-KHC4-900	FUEL UNIT ASSY	FUEL UNIT ASSY	1	
	3780A-KHC4-910	3780A-KHC4-910	FUEL UNIT ASSY	FUEL UNIT ASSY	1	
	50137	50137-KHC4-900	PLATE FLOOR A	PLATE FLOOR A	1	
	50139	50139-KHC4-900	STAY FUEL PUMP	STAY FUEL PUMP	1	
	50140	50140-KHC4-900	PLATE FLOOR	PLATE FLOOR	1	
	90302-GBR2	90302-GBR2-001	BOLT WASH 5*16	BOLT WASH 5*16	4	
	90302-GFY6	90302-GFY6-901	BOLT WASH 5*12	BOLT WASH 5*12	3	
	94050	94050-06080	NUT FLANGE 6MM	NUT FLANGE 6MM	4	
	95002-02070	95002-02070	CLIP B7 TUBE	CLIP B7 TUBE	1	
	95002-02080	95002-02080	CLIP B8 TUBE	CLIP B8 TUBE	2	
	95002-02100	95002-02100	CLIP B15 TUBE	CLIP B15 TUBE	3	
	95002-02120	95002-02120	CLIP B12 TUBE	CLIP B12 TUBE	1	
	95002-50000	95002-50000	CLIP C9 TUBE	CLIP C9 TUBE	1	
	95701	95701-06014-08	BOLT FLANGE 6*14	BOLT FLANGE 6*14	2	

F10

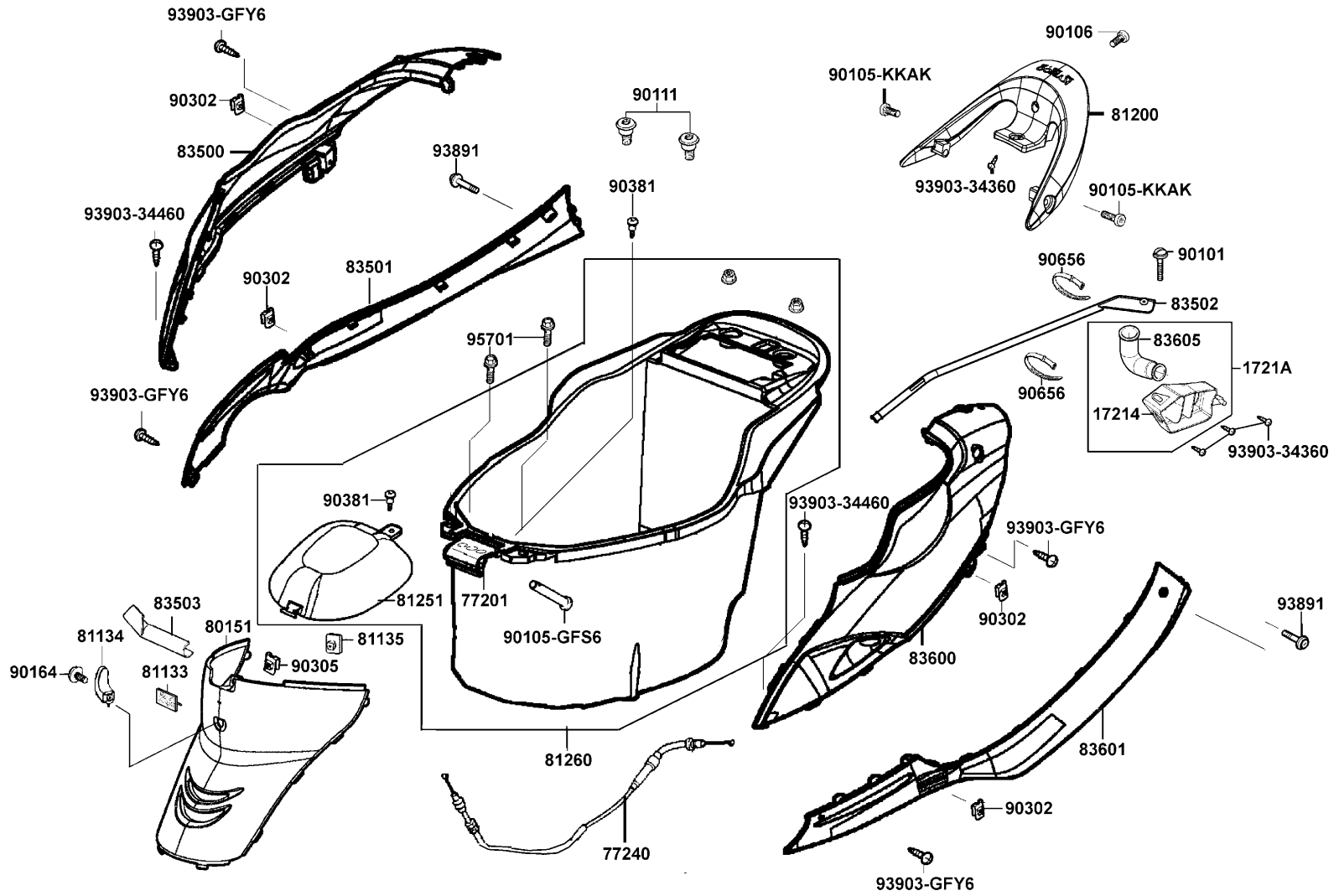
Battery



Sales mark	Ref no	Part no	Description	Reg description	Regd no	F10
	31500-KNBN-92A	31500-KNBN-92A	BATTERY YTX5L-BS	BATTERY YTX5L-BS	1	
	31500-KNBN-92B	31500-KNBN-92B	BATTERY GTX5L-BS	BATTERY GTX5L-BS	1	
**	50325	50325-KHC4-900	BOX BATTERY	BOX BATTERY	1	
	50326	50326-KHC4-900	COVER BATTERY	COVER BATTERY	1	
	50328	50328-KNBN-200	BAND BATTERY	BAND BATTERY	1	
	93404	93404-06016-06	BOLT WASHER 6*16	BOLT WASHER 6*16	1	
	93891	93891-05012-06	SCREW WASHER 5*12	SCREW WASHER 5*12	1	
	98200	98200-10700	FUSE A7	FUSE A7	1	

F11

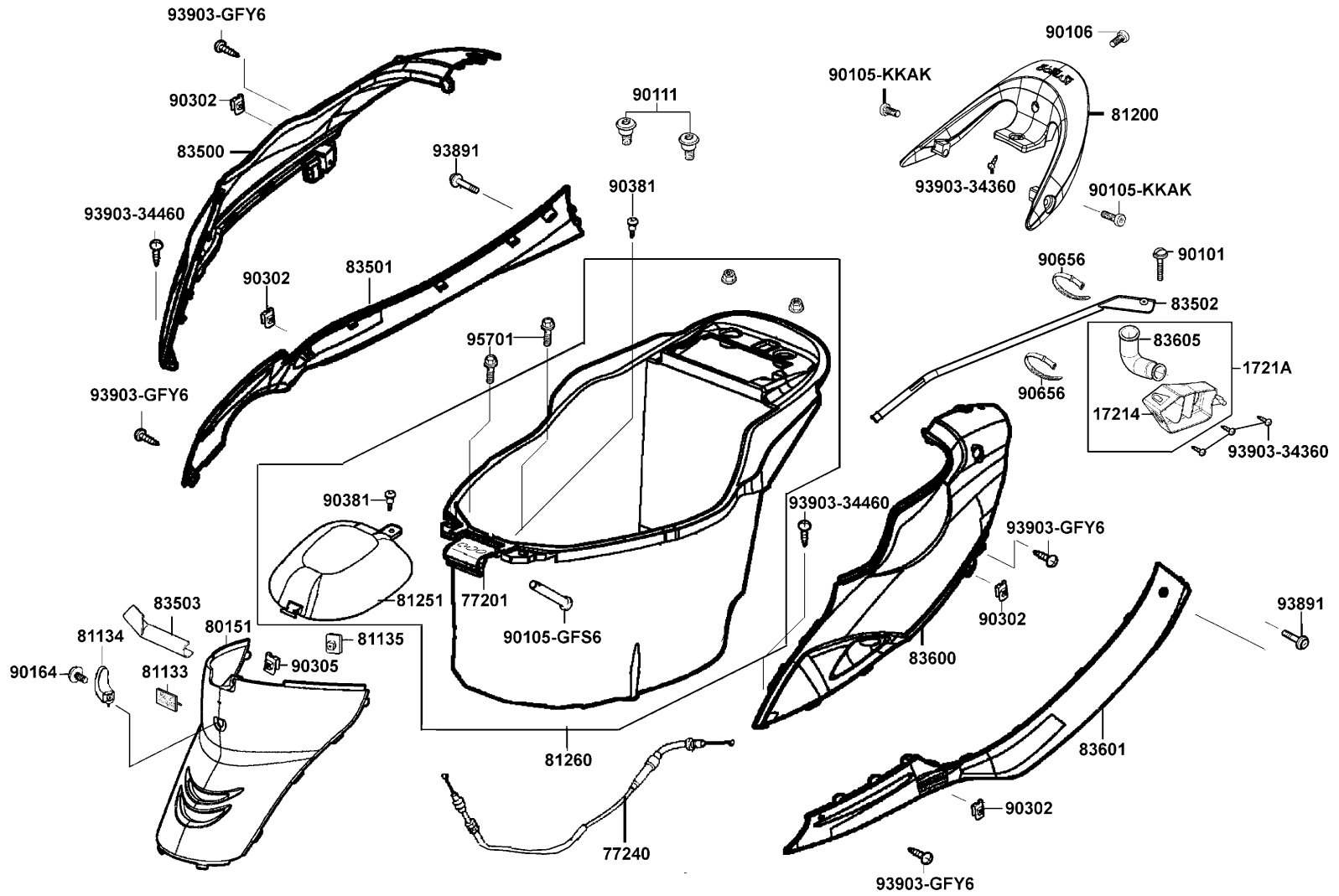
Body Cover Luggage Box



Sales mark	Ref no	Part no	Description	Reg description	Regd no	F11
	17214	17214-KHC4-900	DUCT A/C CASE	DUCT A/C CASE	1	
	1721A	1721A-KHC4-900	DUCT ASSY A/C	DUCT ASSY A/C	1	
	77201	77201-GFS6-001	HINGE SEAT	HINGE SEAT	1	
	77240	77240-KHC4-900	CABLE COMP SEAT LOCK	CABLE COMP SEAT LOCK	1	
**	80151	80151-KHC4-900	COVER CENTER	COVER CENTER	1	
	81133	81133-KGBG-900	STOPPER LUGGAGE	STOPPER LUGGAGE	1	
	81134	81134-KGBG-900	HOOK LUGGAGE	HOOK LUGGAGE	1	
	81135	81135-KGBG-900	STAY LUGGAGE HOOK	STAY LUGGAGE HOOK	1	
**	81200	81200-KHC3-B51	GRIP RR	GRIP RR	1	
	81251	81251-LAB4-900	LID CARB MAINT	LID CARB MAINT	1	
	81260	81260-LDC1-900	BOX ASSY LUGGAGE	BOX ASSY LUGGAGE	1	
**	83500	83500-KHC4-900	COVER SET R BODY	COVER SET R BODY	1	
**	83501	83501-KHC4-900	SIDE MOLD R	SIDE MOLD R	1	
	83502	83502-KHC4-900	PROTECTOR SEAT CABLE	PROTECTOR SEAT CABLE	1	
	83503	83503-KHC4-900	COVER PROTECT SEAT WIRE FR	COVER PROTECT SEAT WIRE FR	1	
**	83600	83600-KHC3-900	COVER SET L BODY	COVER SET L BODY	1	
**	83601	83601-KHC4-900	SIDE MOLD L	SIDE MOLD L	1	
	83605	83605-KHC4-900	DUCT A/C INT	DUCT A/C INT	1	
	90101	90101-0G87-721	SCREW HEAD LIGHTT SET	SCREW HEAD LIGHTT SET	1	
	90105-GFS6	90105-GFS6-001	PIN HINGE	PIN HINGE	1	

F11

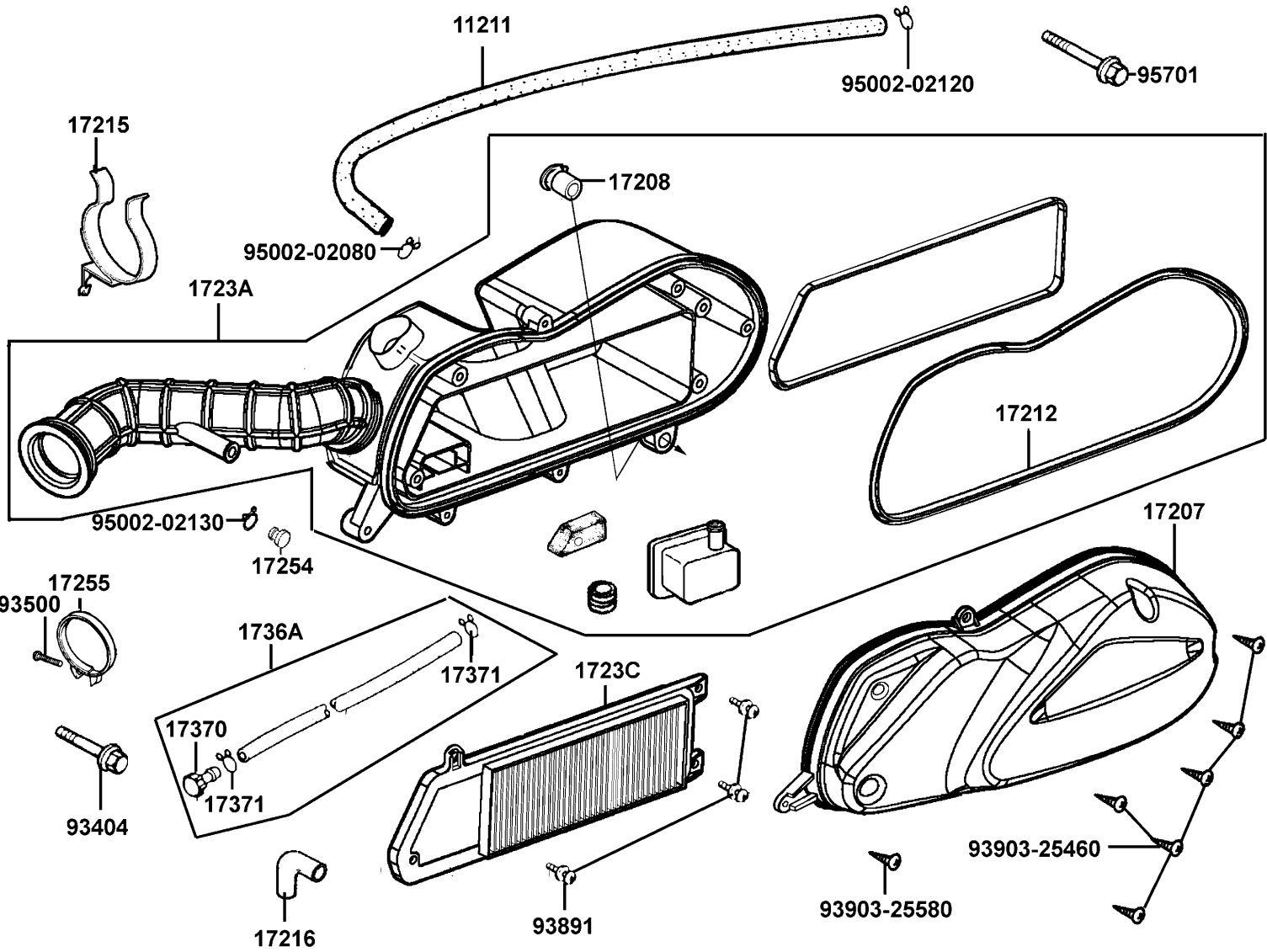
Body Cover Luggage Box



Sales mark	Ref no	Part no	Description	Reg description	Regd no	F11
	90105-KKAK	90105-KKAK-900	BOLT SPECIAL 8*38	BOLT SPECIAL 8*38	2	
	90106	90106-KKC4-900	BOLT WASH 8MM	BOLT WASH 8MM	1	
	90111	90111-1G87-001	BOLT FLANGE 6MM	BOLT FLANGE 6MM	2	
	90164	90164-KGBG-900	SCREW SPECIAL 6MM	SCREW SPECIAL 6MM	1	
	90302	90302-SDA4-004	NUT SPRING 4MM	NUT SPRING 4MM	4	
	90305	90305-GHK8-001	NUT CLIP 6MM	NUT CLIP 6MM	1	
	90381	90381-GEZ5-001	SCREW SPECIAL 6*17	SCREW SPECIAL 6*17	2	
	90656	90656-GFY6-911	BAND OIL HOSE	BAND OIL HOSE	2	
	93891	93891-06016-06	SCREW WASHER 6X16	SCREW WASHER 6X16	2	
	93903-34360	93903-34360	SCREW TAPPING 4*12	SCREW TAPPING 4*12	4	
	93903-34460	93903-34460	SCREW TAPPING 4*16	SCREW TAPPING 4*16	2	
	93903-GFY6	93903-GFY6-900	SCREW TAPPING 4*14	SCREW TAPPING 4*14	4	
	95701	95701-06012-08	BOLT FLANGE 6*12	BOLT FLANGE 6*12	2	

F12

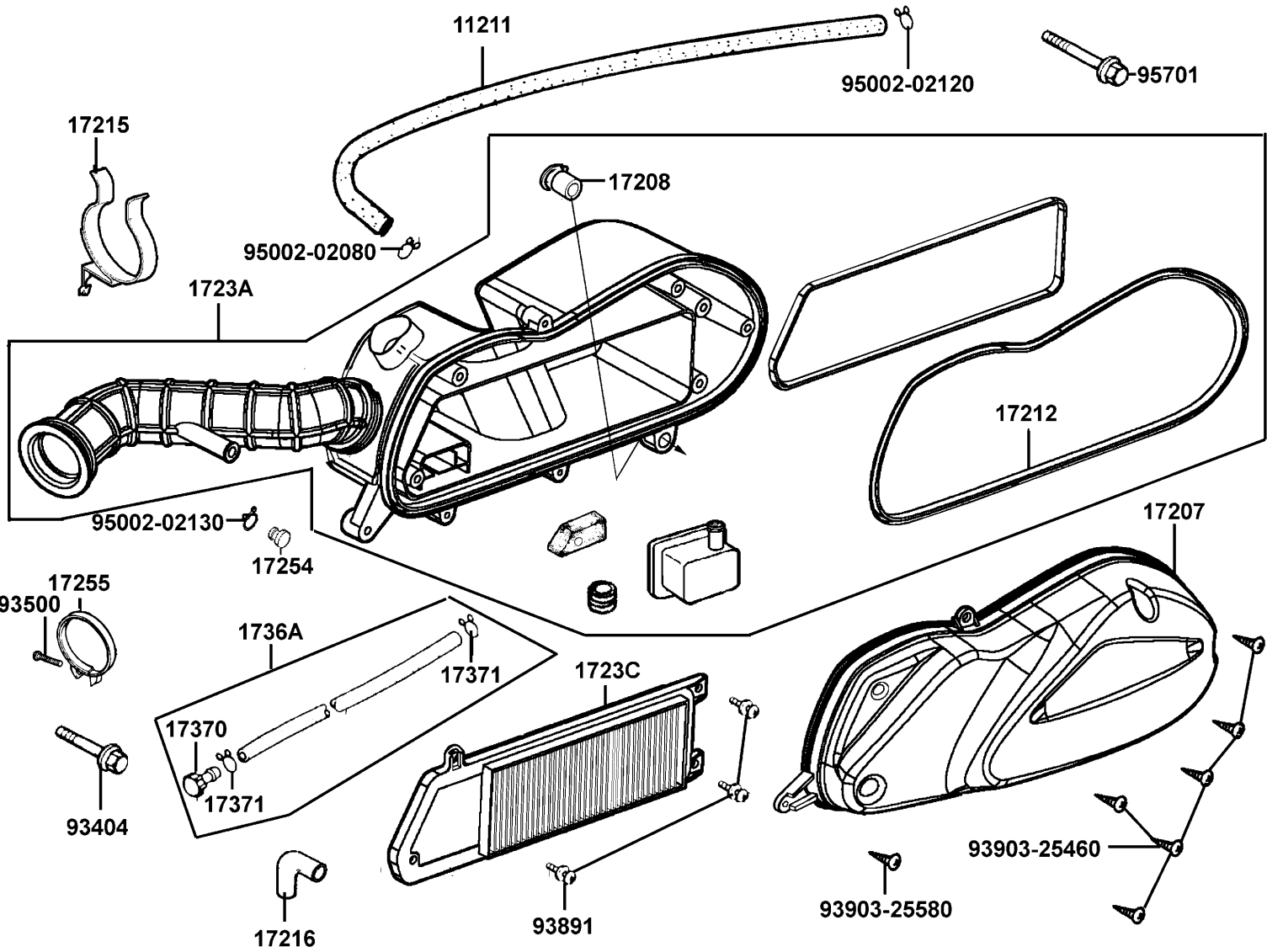
Air Cleaner



Sales mark	Ref no	Part no	Description	Reg description	Regd no	F12
	11211	11211-KHC5-900	TUBE BREATHER	TUBE BREATHER	1	
	17207	17207-KHC4-B00	COVER COMP AIR/C	COVER COMP AIR/C	1	
	17208	17208-GAR1-011	COLLAR AIR/C SET	COLLAR AIR/C SET	1	
	17212	17212-KHC4-900	SEAL AIR/C CASE	SEAL AIR/C CASE	1	
	17215	17215-KGBG-90A	CLIP ASSY A/C DUCT	CLIP ASSY A/C DUCT	1	
	17216	17216-KHC4-900	L JOINT BREATHER TUBE	L JOINT BREATHER TUBE	1	
	1723A	1723A-KHC4-B00	CASE ASSY AIR/C	CASE ASSY AIR/C	1	
	1723C	1723C-KHC4-900	ELEMENT ASSY AIR/C	ELEMENT ASSY AIR/C	1	
	17254	17254-KACA-P00	JOINT PURGE TUBE	JOINT PURGE TUBE	1	
	17255	17255-KGBG-900	BAND ASSY AIR/C CONN TUBE	BAND ASSY AIR/C CONN TUBE	1	
	1736A	1736A-GFY6-900	TUBE DRAIN ASSY	TUBE DRAIN ASSY	1	
	17370	17370-4K19-701	PLUG BREATHER TUBE	PLUG BREATHER TUBE	1	
	17371	17371-1D74-671	CLIP BREATHER TUBE	CLIP BREATHER TUBE	2	
	93404	93404-06025-06	BOLT WASHER 6*25	BOLT WASHER 6*25	1	
	93500	93500-04025-0A	SCREW PAN 4*25	SCREW PAN 4*25	1	
	93891	93891-05010-08	SCREW WASHER 5*10	SCREW WASHER 5*10	3	
	93903-25460	93903-25460	SCREW TAPPING 4*12	SCREW TAPPING 4*12	6	
	93903-25580	93903-25580	SCREW TAPPING 5X25	SCREW TAPPING 5X25	1	
	95002-02080	95002-02080	CLIP B8 TUBE	CLIP B8 TUBE	1	
	95002-02120	95002-02120	CLIP B12 TUBE	CLIP B12 TUBE	1	

F12

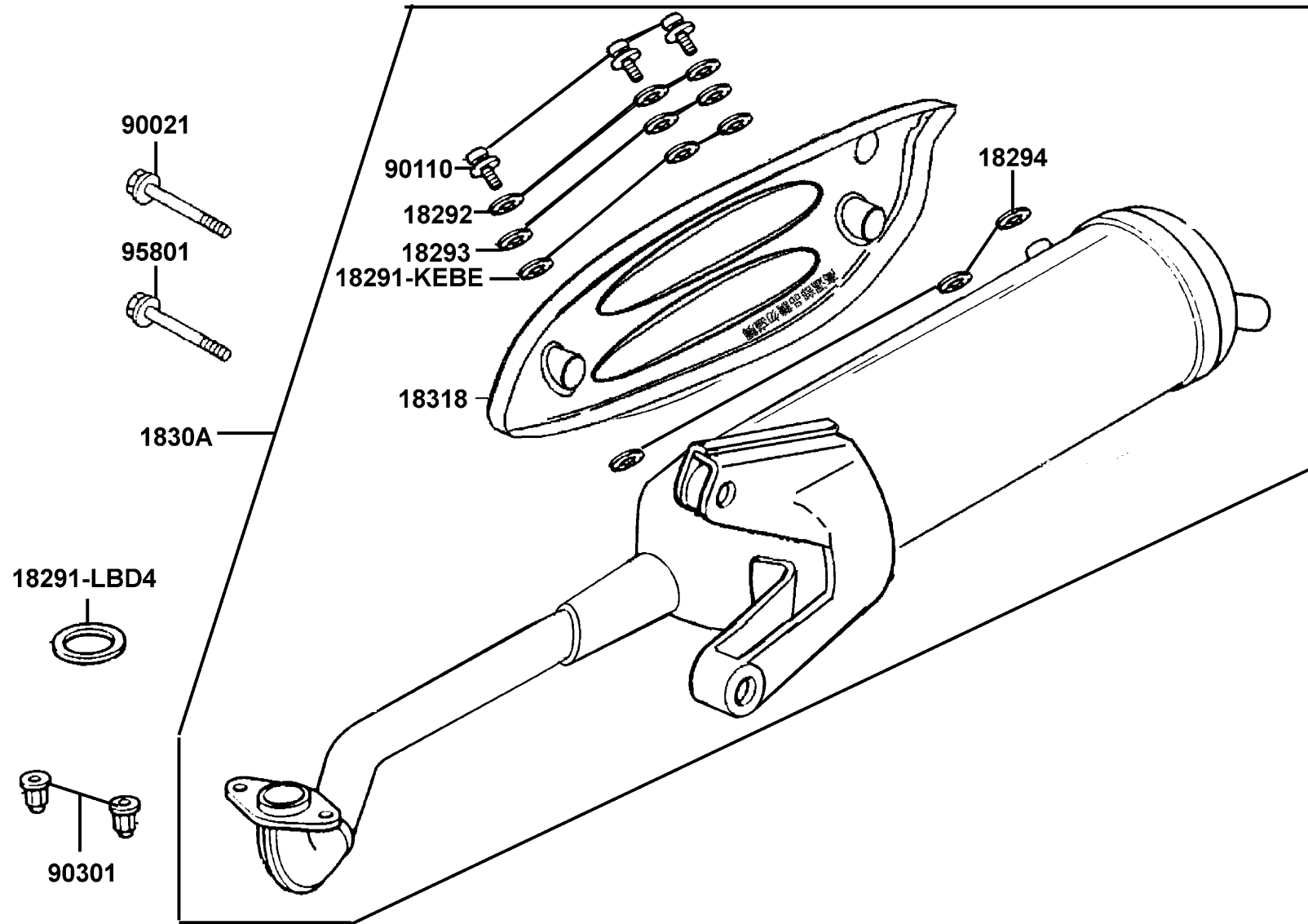
Air Cleaner



Sales mark	Ref no	Part no	Description	Reg description	Regd no	F12
	95002-02130	95002-02130	CLIP B 12.5 TURE	CLIP B 12.5 TURE	1	
	95701	95701-06032-08	BOLT FLANGE 6*32	BOLT FLANGE 6*32	1	

F13

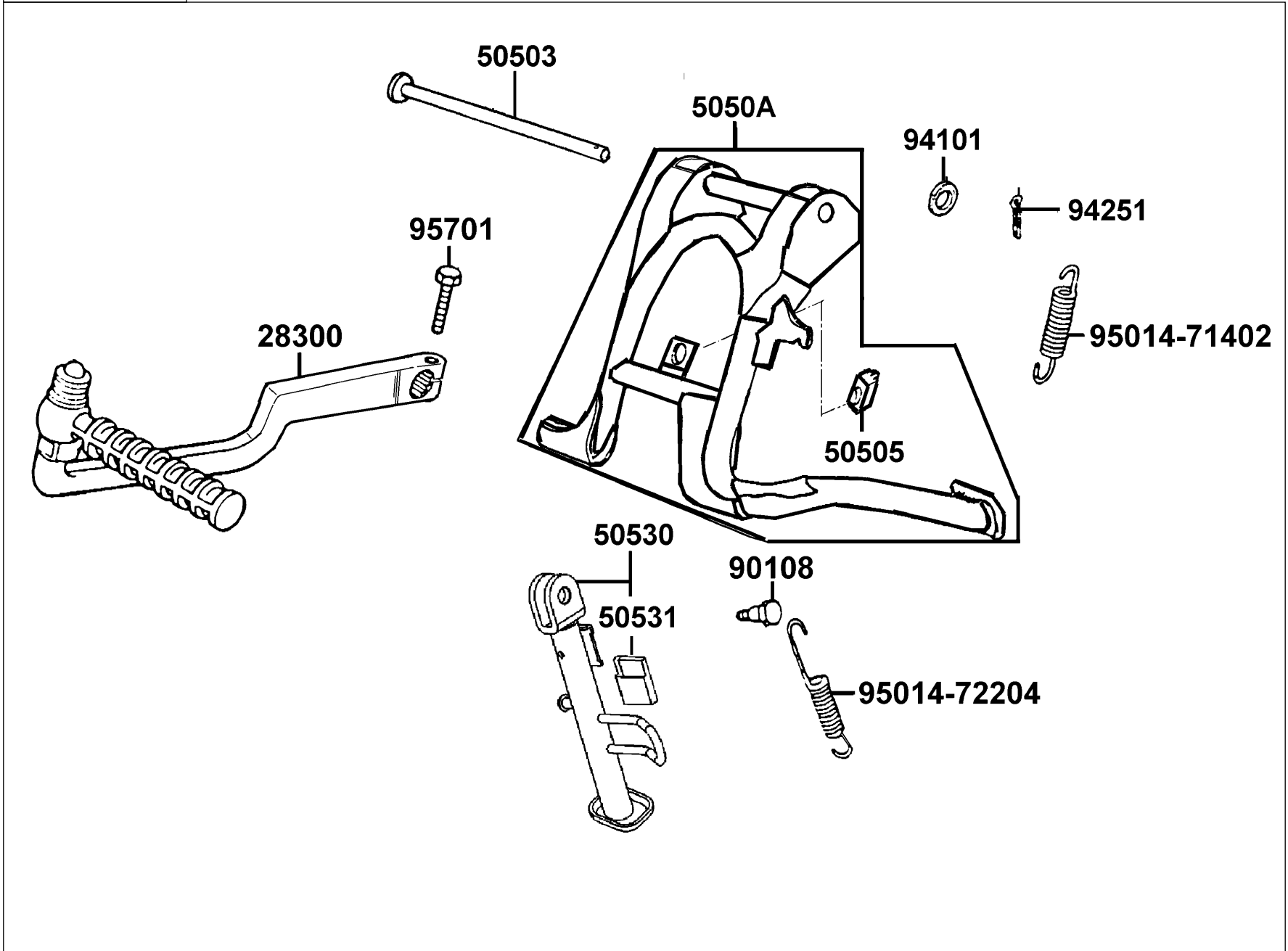
Exhaust Muffler



Sales mark	Ref no	Part no	Description	Reg description	Regd no	F13
	18291-KEBE	18291-KEBE-900	COLLAR	COLLAR	3	
	18291-LBD4	18291-LBD4-900	GASKET EXH PIPE	GASKET EXH PIPE	1	
	18292	18292-KEBE-900	PACKING PROTECTOR	PACKING PROTECTOR	3	
	18293	18293-KEBE-900	RUBBER PKG PROTR	RUBBER PKG PROTR	3	
	18294	18294-KEBE-900	PACKING PROTECTOR	PACKING PROTECTOR	3	
	1830A	1830A-KHC4-B00	MUFFLER ASSY EXHAUST	MUFFLER ASSY EXHAUST	1	
**	18318	18318-KHC4-B00	PROTECTOR COMP MUFFLER	PROTECTOR COMP MUFFLER	1	
	90021	90021-GFY6-900	BOLT WASHER COMP	BOLT WASHER COMP	1	
	90110	90110-KFA6-900	SCREW SPECIAL 6*18	SCREW SPECIAL 6*18	3	
	90301	90301-GFY6-901	NUT (HEX) CAP 8MM	NUT (HEX) CAP 8MM	2	
	95801	95801-08042-06	BOLT FLANGE 8*42	BOLT FLANGE 8*42	1	

F14

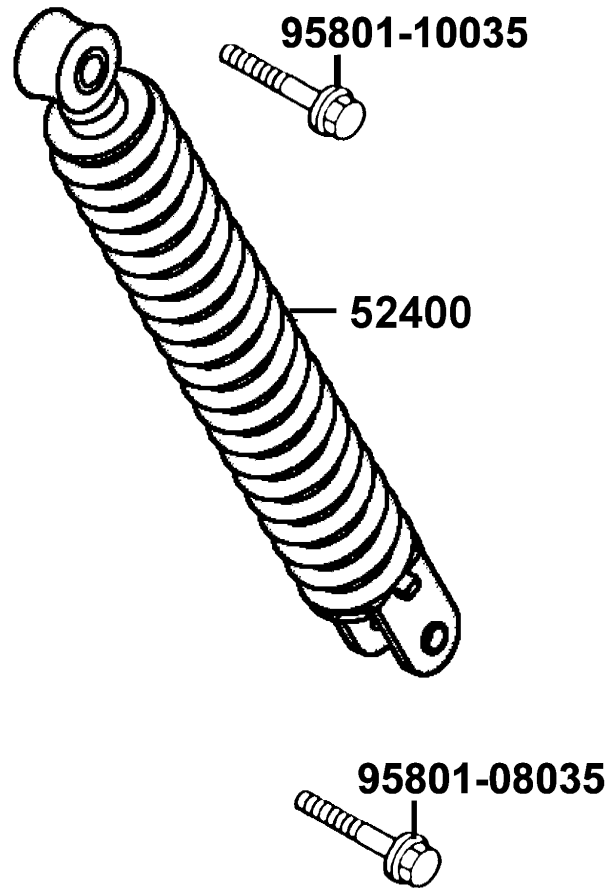
StandKick Starter Arm



Sales mark	Ref no	Part no	Description	Reg description	Regd no	F14
	28300	28300-KNBN-901	ARM ASSY KICK STARTER	ARM ASSY KICK STARTER	1	
	50503	50503-KGBG-900	SHAFT MAIN STAND	SHAFT MAIN STAND	1	
	50505	50505-GAR1-711	STOPPER RUBBER STAND	STOPPER RUBBER STAND	1	
	5050A	5050A-KHC4-B00	STAND ASSY MAIN	STAND ASSY MAIN	1	
	50530	50530-KHC4-900	BAR SIDE STAND	BAR SIDE STAND	1	
	50531	50531-KHC4-900	STOPPER RUBBER	STOPPER RUBBER	1	
	90108	90108-GFY6-901	SCREW SIDE STAND PIVOT	SCREW SIDE STAND PIVOT	1	
	94101	94101-08600	WASHER PLAIN 8MM	WASHER PLAIN 8MM	1	
	94251	94251-08400	PIN LOCK 8MM	PIN LOCK 8MM	1	
	95014-71402	95014-71402	SPRING D MAIN STAND	SPRING D MAIN STAND	1	
	95014-72204	95014-72204	SPG B1 SIDE STAND	SPG B1 SIDE STAND	1	
	95701	95701-06022-06	BOLT FLANGE 6*22	BOLT FLANGE 6*22	1	

F15

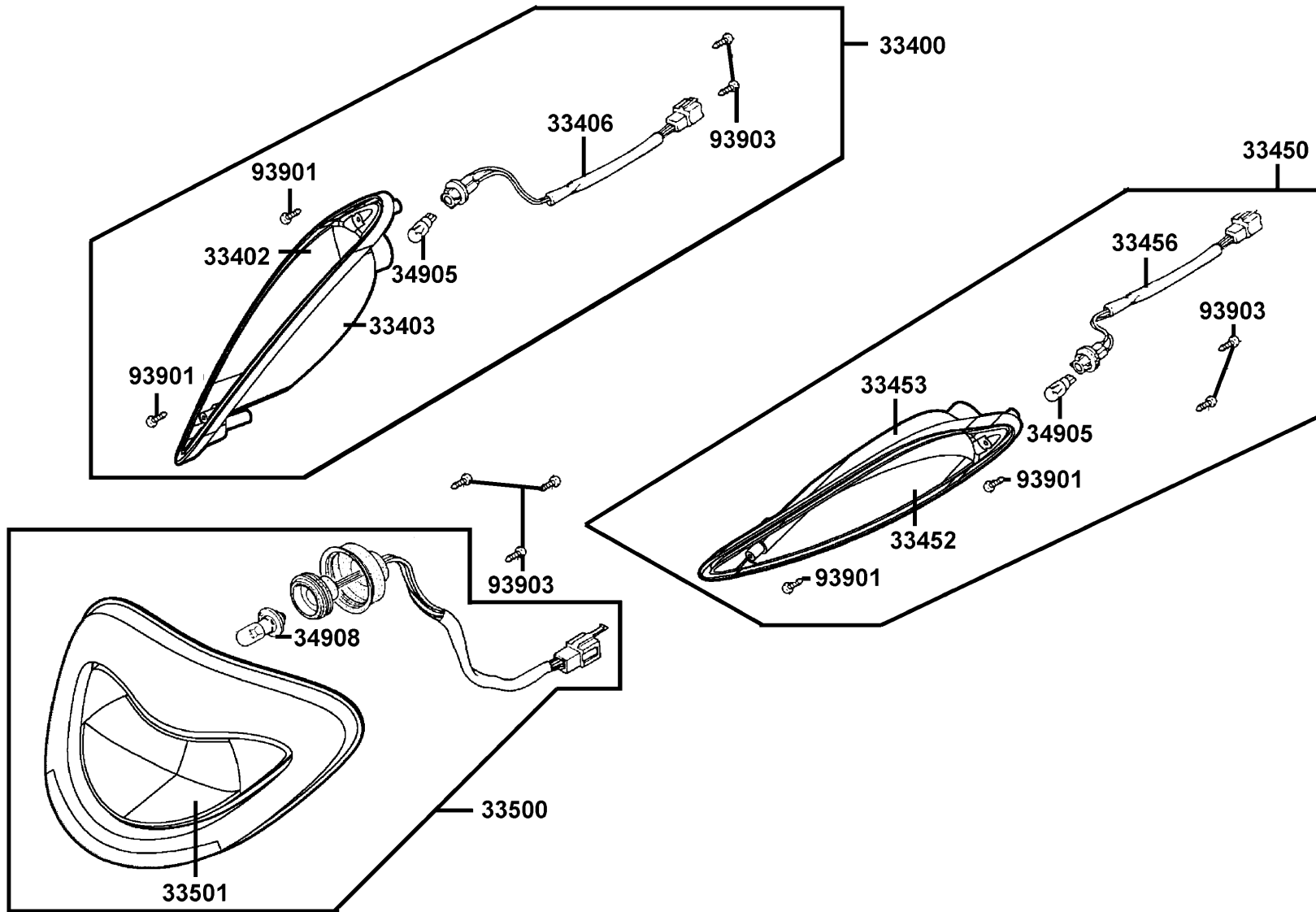
Rear Cushion



Sales mark	Ref no	Part no	Description	Reg description	Regd no	F15
**	52400	52400-KHC4-900	CUSHION ASSY REAR	CUSHION ASSY REAR	1	
	95801-08035	95801-08035-08	BOLT FLANGE 8*35	BOLT FLANGE 8*35	1	
	95801-10035	95801-10035-08	BOLT FLANGE 10*35	BOLT FLANGE 10*35	1	

F16

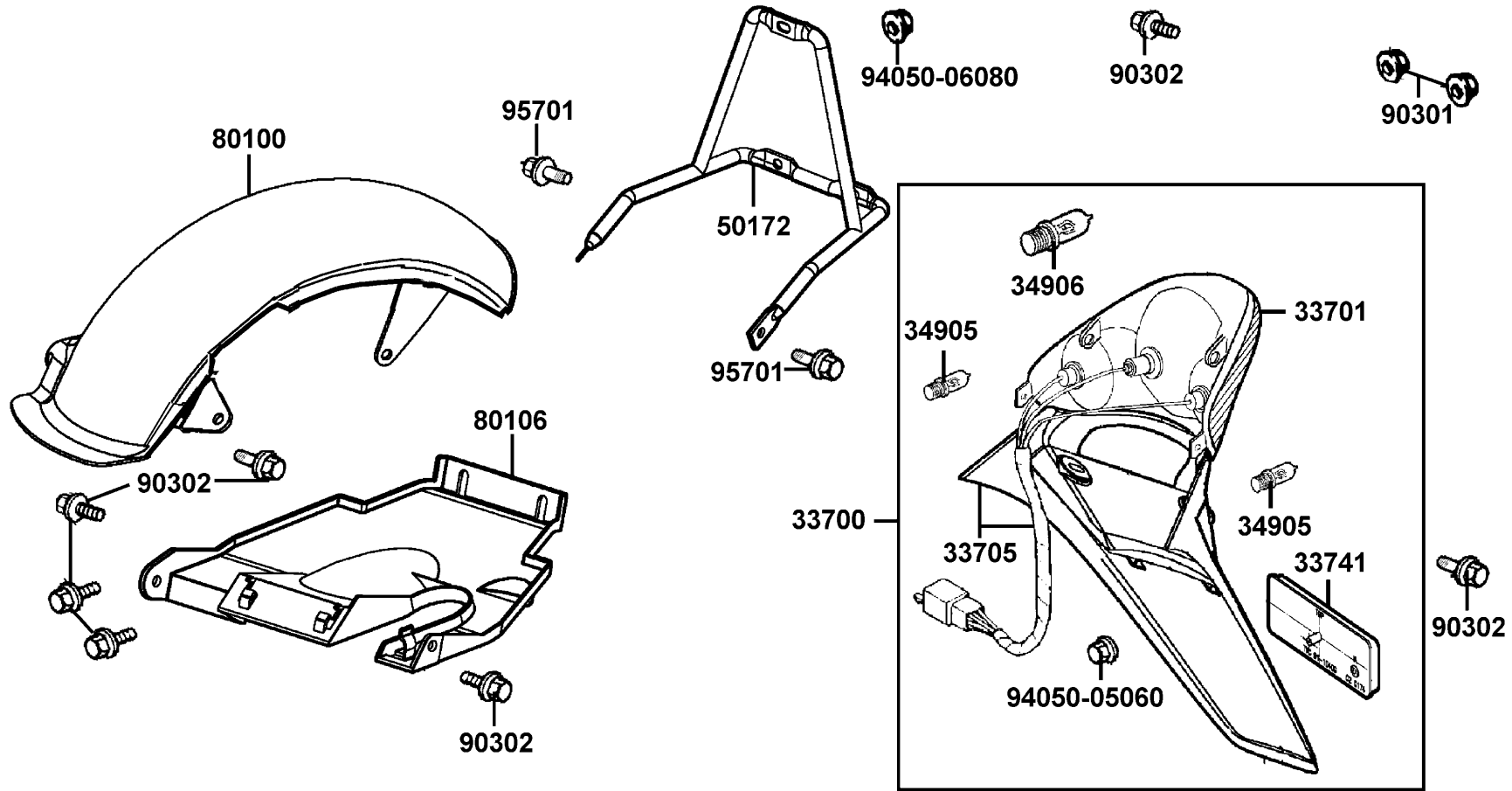
Front Winker



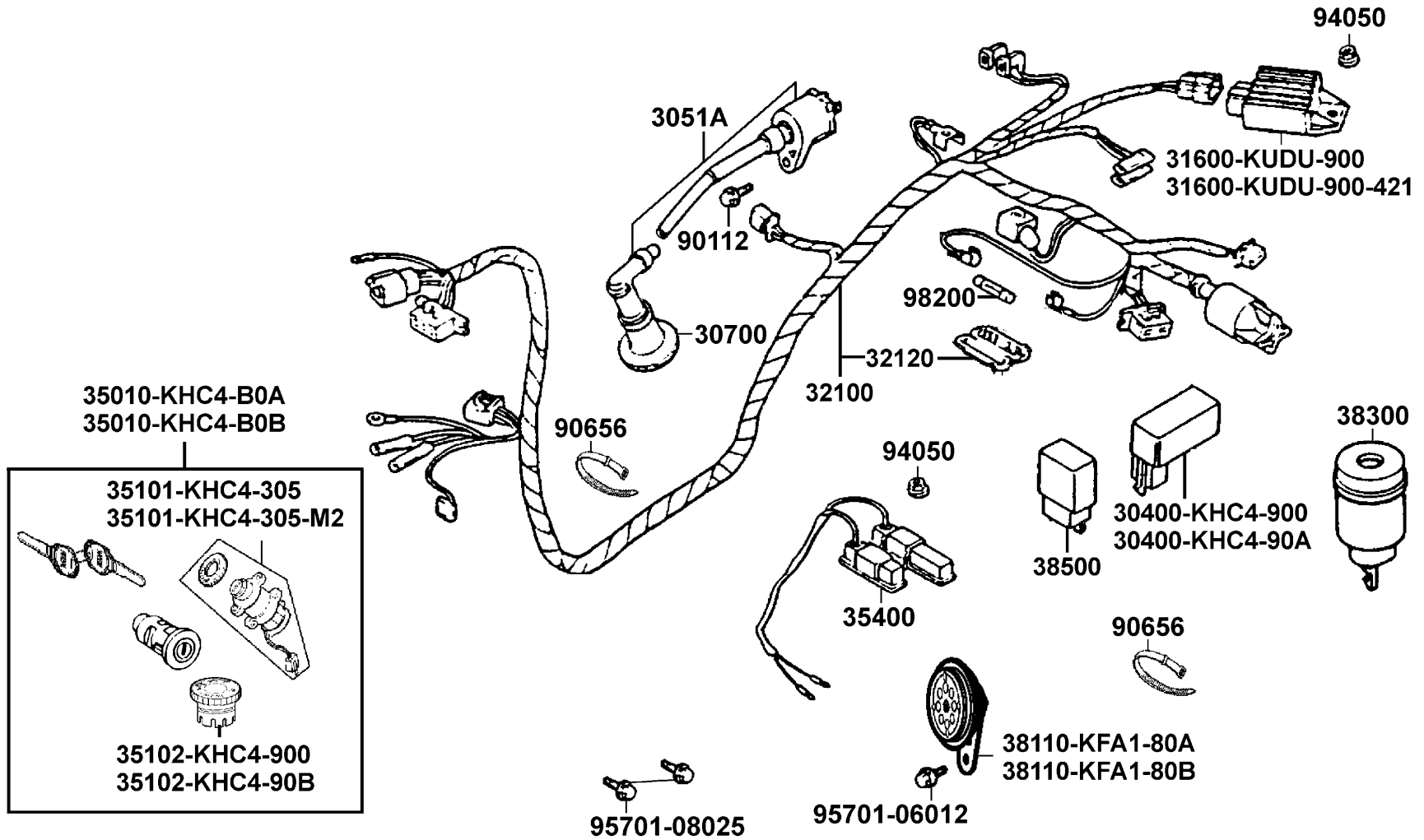
Sales mark	Ref no	Part no	Description	Reg description	Regd no	F16
	33400	33400-KHC3-900	LIGHT ASSY R FR WINKER	LIGHT ASSY R FR WINKER	1	
	33402	33402-KHC3-900	LENS R FR WINKER	LENS R FR WINKER	1	
	33403	33403-KHC3-900	BASE COMP R FR WINKER	BASE COMP R FR WINKER	1	
	33406	33406-KHC4-900	SOCKET COMP R FR WINKER	SOCKET COMP R FR WINKER	1	
	33450	33450-KHC3-900	LIGHT ASSY L FR WINKER	LIGHT ASSY L FR WINKER	1	
	33452	33452-KHC3-900	LENS L FR WINKER	LENS L FR WINKER	1	
	33453	33453-KHC3-900	BASE COMP L FR WINKER	BASE COMP L FR WINKER	1	
	33456	33456-KHC4-900	SOCKET COMP L FR WINKER	SOCKET COMP L FR WINKER	1	
	33500	33500-KHC4-910	LIGHT ASSY FR POSITION	LIGHT ASSY FR POSITION	1	
	33501	33501-KHC4-900	LENS POSITION LIGHT	LENS POSITION LIGHT	1	
	34905	34905-KHC4-900	BULB WINKER	BULB WINKER	2	
	34908	34908-GGA7-70A	BULB WEDGE BASE 12V*3.4W	BULB WEDGE BASE 12V*3.4W	1	
	93901	93901-32310	SCREW TAPPING 3*12	SCREW TAPPING 3*12	4	
	93903	93903-34360	SCREW TAPPING 4*12	SCREW TAPPING 4*12	7	

F17

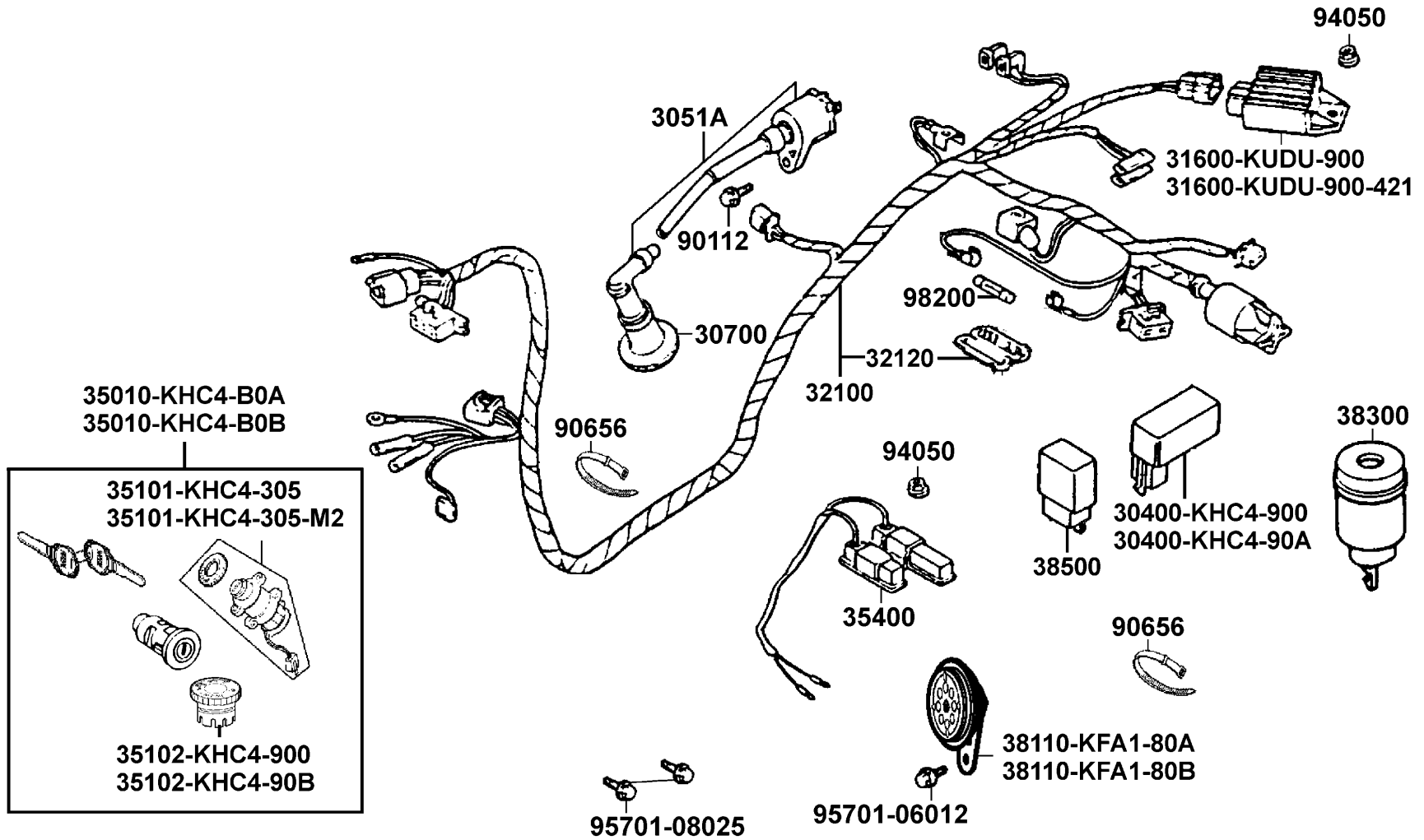
Rear LightFender Rr Tire



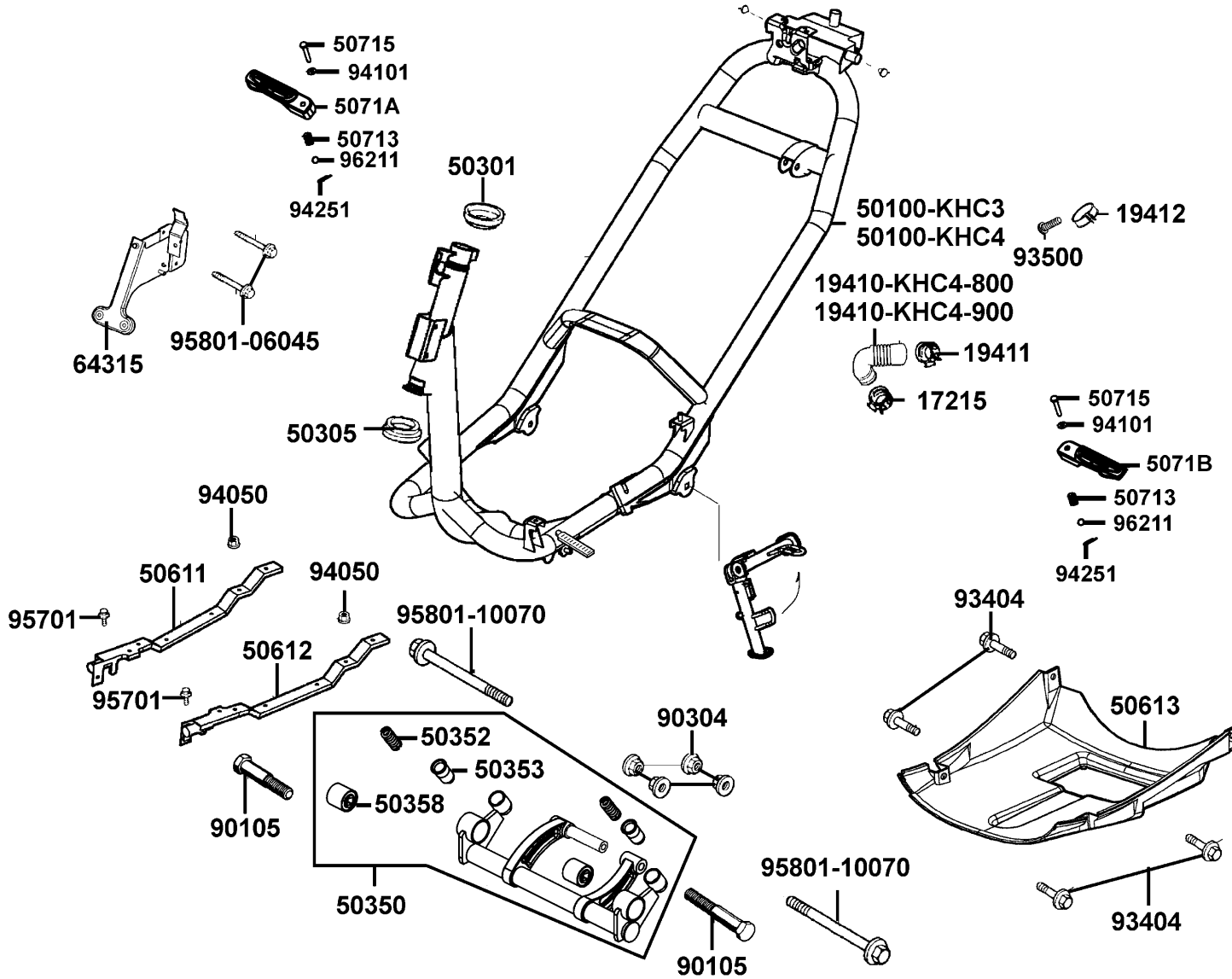
Sales mark	Ref no	Part no	Description	Reg description	Regd no	F17
	33700	33700-KHC4-900	LIGHT ASSY RR COMB	LIGHT ASSY RR COMB	1	
	33701	33701-KHC4-900	LENS COMP TAIL LIGHT	LENS COMP TAIL LIGHT	1	
	33705	33705-KHC4-900	BASE TAIL LIGHT	BASE TAIL LIGHT	1	
	33741	33741-KEBE-900	REFLEX REFLECTOR	REFLEX REFLECTOR	1	
	34905	34905-KHC4-900	BULB WINKER	BULB WINKER	2	
	34906	34906-2H68-601	BULB TAIL LIGHT	BULB TAIL LIGHT	1	
	50172	50172-KHC4-900	STAY TAIL LIGHT	STAY TAIL LIGHT	1	
**	80100	80100-KHC4-800	FENDER RR TIRE	FENDER RR TIRE	1	
#	80106	80106-KHC4-900	FENDER RR INNER	FENDER RR INNER	1	
	90301	90301-6D34-671	NUT FLANGE 6MM	NUT FLANGE 6MM	2	
	90302	90302-GFY6-901	BOLT WASH 5*12	BOLT WASH 5*12	7	
	94050-05060	94050-05060	NUT FLANGE 5MM	NUT FLANGE 5MM	1	
	94050-06080	94050-06080	NUT FLANGE 6MM	NUT FLANGE 6MM	1	
	95701	95701-06012-08	BOLT FLANGE 6*12	BOLT FLANGE 6*12	2	



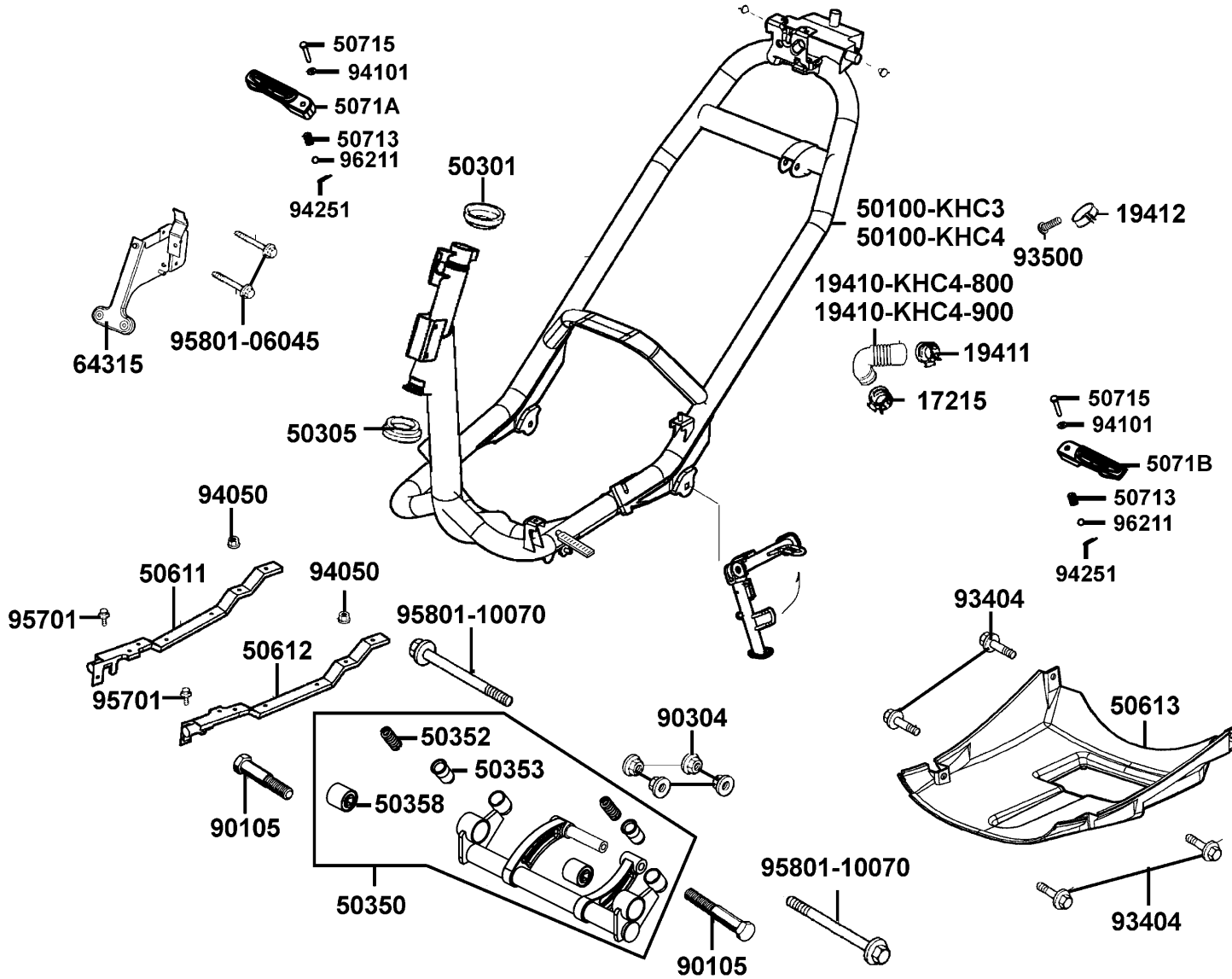
Sales mark	Ref no	Part no	Description	Reg description	Regd no	F18
	30400-KHC4-900	30400-KHC4-900	CDI ASSY & SPEED CONTROL	CDI ASSY & SPEED CONTROL	1	
	30400-KHC4-90A	30400-KHC4-90A	UNIT COMP CDI	UNIT COMP CDI	1	
	3051A	3051A-KHC4-900	COIL ASSY IGN	COIL ASSY IGN	1	
	30700	30700-GFY6-901	CAP ASSY NOISE SUPPRESOR	CAP ASSY NOISE SUPPRESOR	1	
	31600-KUDU-900	31600-KUDU-900	REG REC COMP	REG REC COMP	2	
	32100	32100-KHC4-900	HARNESS WIRE	HARNESS WIRE	1	
	32120	32120-1E55-001	CASE FUSE	CASE FUSE	1	
	35010-KHC4-B0A	35010-KHC4-B0A	KEY SET	KEY SET	1	
	35010-KHC4-B0B	35010-KHC4-B0B	KEY SET	KEY SET	1	
	35101-KHC4-305	35101-KHC4-305	SW SET COMB & LOCK	SW SET COMB & LOCK	1	
	35101-KHC4-305-M2	35101-KHC4-305-M2	SW SET COMB & LOCK	SW SET COMB & LOCK	1	
	35102-KHC4-900	35102-KHC4-900	COLLAR MAIN SW	COLLAR MAIN SW	1	
	35102-KHC4-90B	35102-KHC4-90B	COLLAR MAIN SW	COLLAR MAIN SW	1	
#	35400	35400-KEE1-900	RESISTOR COMP	RESISTOR COMP	1	
#	38110-KFA1-80A	38110-KFA1-80A	HORN COMP	HORN COMP	1	
#	38110-KFA1-80B	38110-KFA1-80B	HORN COMP	HORN COMP	1	
	38300	38300-KECE-900	RELAY ASSY WINKER	RELAY ASSY WINKER	1	
	38500	38500-KKDK-900	RELAY ASSY START	RELAY ASSY START	1	
	90112	90112-KRDR-900	BOLT FLANGE 5*22	BOLT FLANGE 5*22	1	
	90656	90656-GFY6-911	BAND OIL HOSE	BAND OIL HOSE	1	



Sales mark	Ref no	Part no	Description	Reg description	Regd no	F18
	94050	94050-06080	NUT FLANGE 6MM	NUT FLANGE 6MM	2	
	95701-06012	95701-06012-08	BOLT FLANGE 6*12	BOLT FLANGE 6*12	1	
	95701-08025	95701-08025-08	BOLT FLANGE 8*25	BOLT FLANGE 8*25	2	
	98200	98200-10700	FUSE A7	FUSE A7	1	



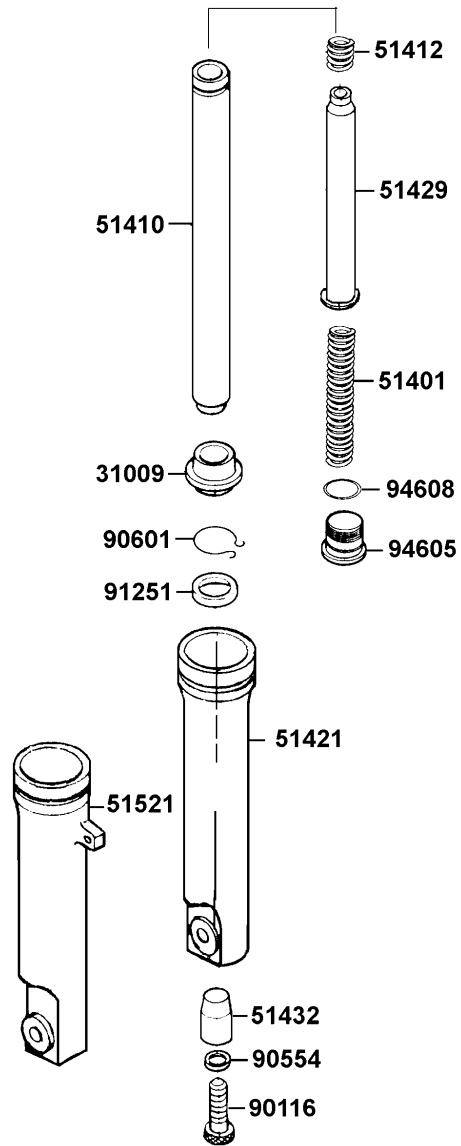
Sales mark	Ref no	Part no	Description	Reg description	Regd no	F19
	17215	17215-KNBN-200	CLIP ASSY AIR/C DUCT	CLIP ASSY AIR/C DUCT	1	
	19410-KHC4-800	19410-KHC4-800	DUCT COOLING	DUCT COOLING	1	
	19410-KHC4-900	19410-KHC4-900	DUCT COOLING	DUCT COOLING	1	
	19411	19411-KNBN-900	CLIP HOSE	CLIP HOSE	1	
	19412	19412-KHC4-900	BAND TUBE	BAND TUBE	1	
	50100-KHC3	50100-KHC3-B51	BODY COMP FRAME	BODY COMP FRAME	1	
	50100-KHC4	50100-KHC4-B00	BODY COMP FRAME	BODY COMP FRAME	1	
	50301	50301-GLM0-001	RACE UP STRG BALL	RACE UP STRG BALL	1	
	50305	50305-GHC8-004	RACE (UNDER STR) BALL	RACE (UNDER STR) BALL	1	
	50350	50350-KHC4-900	HANGER ASSY ENG	HANGER ASSY ENG	1	
	50352	50352-KHC4-900	SPRING	SPRING	2	
	50353	50353-KHC4-900	RUBBER SEAT SPRING	RUBBER SEAT SPRING	2	
	50358	50358-KHC4-900	RUBBER BUSH ENG HANGER	RUBBER BUSH ENG HANGER	2	
	50611	50611-KHC4-900	RNFCT R FLOOR	RNFCT R FLOOR	1	
	50612	50612-KHC4-900	RNFCT L FLOOR	RNFCT L FLOOR	1	
# **	50613	50613-KHC4-900	COVER UNDER	COVER UNDER	1	
	50713	50713-KEB7-900	SPRING	SPRING	2	
	50715	50715-KEB7-900	PIN RR STEP	PIN RR STEP	2	
	5071A	5071A-LLF5-900	BAR R STEP ASSY	BAR R STEP ASSY	1	
	5071B	5071B-LLF5-900	BAR L STEP ASSY	BAR L STEP ASSY	1	



Sales mark	Ref no	Part no	Description	Reg description	Regd no	F19
	64315	64315-KHC3-B50	STAY FR COVER	STAY FR COVER	1	
	90105	90105-KHC4-900	SQUARE BOLT M10X50	SQUARE BOLT M10X50	2	
	90304	90304-GHE8-004	NUT U 10MM	NUT U 10MM	4	
	93404	93404-06016-06	BOLT WASHER 6*16	BOLT WASHER 6*16	4	
	93500	93500-05016-0H	SCREW PAN 5*16	SCREW PAN 5*16	1	
	94050	94050-06080	NUT FLANGE 6MM	NUT FLANGE 6MM	2	
	94101	94101-06000	WASHER PLAIN 6MM	WASHER PLAIN 6MM	2	
	94251	94251-08400	PIN LOCK 8MM	PIN LOCK 8MM	2	
	95701	95701-06012-08	BOLT FLANGE 6*12	BOLT FLANGE 6*12	2	
	95801-06045	95801-06045-08	BOLT FLANGE 6*45	BOLT FLANGE 6*45	2	
	95801-10070	95801-10070-08	BOLT FLANGE 10*70	BOLT FLANGE 10*70	2	
	96211	96211-08000	BALL STEEL 8MM	BALL STEEL 8MM	2	

F20

Separated Parts Of Fr Fork



Sales mark	Ref no	Part no	Description	Reg description	Regd no	F20
	31009	31009-GAR1-900	DUST SEAL	DUST SEAL	2	
	51401	51401-KHC4-900	SPRING	SPRING	2	
	51410	51410-KNBN-900	FORK PIPE COMP	FORK PIPE COMP	2	
	51412	51412-KFA1-900	REBOUND SPRING	REBOUND SPRING	2	
**	51421	51421-KCLC-900	BOTTOM CASE R	BOTTOM CASE R	1	
	51429	51429-LAB4-900	PIPE SEAT COMP	PIPE SEAT COMP	2	
	51432	51432-KFA1-900	OIL LOCK PIECE	OIL LOCK PIECE	2	
**	51521	51521-KCLC-900	BOTTOM CASE L	BOTTOM CASE L	1	
	90116	90116-3C83-72A	BOLT	BOLT	2	
	90554	90554-2C83-001	PACKING	PACKING	2	
	90601	90601-GAR1-900	RING OIL SEAL STOPPER	RING OIL SEAL STOPPER	2	
	91251	91251-LAB4-900	OIL SEAL	OIL SEAL	2	
	94605	94605-KFA1-900	FORK BOLT	FORK BOLT	2	
	94608	94608-40000	O-RING	O-RING	2	

PERHATIAN

Ukuran ban (satu orang)	: Depan 90/90-10 50J	Belakang 90/90-10 50J
(dua orang)	: Depan 1.50kg/cm ²	Belakang 2.0kg/cm ²
kapasitas	: Depan 1.75kg/cm ²	Belakang 2.25kg/cm ²
	: Bagasi depan 1.5kg	
	: Bagasi barang dibawah jok 10kg	
	: Paling pengangkut barang 3kg	

● Setelah melakukan penggantian oli mesin,periksa kapasitas oli mesin dengan menggunakan stik pengukur oli

KHC4-B000-IN

87505

KAPASITAS OLI

Gunakan selalu oli asli KYMCO

Kapasitas Oli Mesin 0.8 liter

Kapasitas penggantian berkala 0.7 liter

Setelah mengganti oli mesin.
Periksa kembali kapasitas oli mesin

Hidupkan mesin selama 3 menit kemudian
Periksa kembali kapasitas oli mesin

KHC4-B000-IN

87541-KHC4

<ul style="list-style-type: none"> ● Pakailah helm pengaman sewaktu mengemudi ● Patuhi semua rambu-rambu lalu lintas ● Demi keselamatan bertandara dan menjaga performa mesin,jangan melakukan modifikasi sembarangan ● Lakukan selalu pemeriksaan berkala dan pemeriksaan sebelum bertandara ● Bacalah buku panduan pemilik dengan seksama 	<ul style="list-style-type: none"> ● Parkir kendaraan pada tempat yang telah ditentukan <p style="text-align: center;">HAL YANG HARUS DIPERIKSA SEBELUM BERKENDARA</p> <ul style="list-style-type: none"> ● Rem ● Oli mesin ● Klakson ● Ban ● Lampu <p style="text-align: center;">PT KYMCO LIPPO MOTOR INDONESIA</p> <p style="text-align: right;"><small>KDU-B000-IN</small></p>
--	---

87560

PERHATIAN

Demi kenyamanan anda dalam mengemudi janganlah menaruh atau menempel benda apapun didekat mesin dan penutupnya

KED5-B000-IN

87542

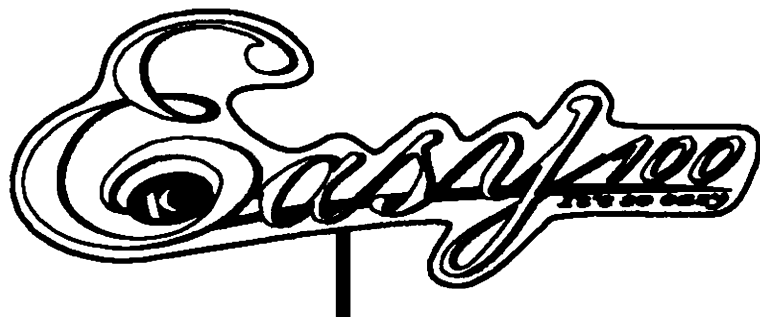
PERHATIAN

Demi keselamatan anda sebelum mesin dihidupkan periksalah apakah cagak telah dinaikkan.

KED5-B000-IN

87541-KED5

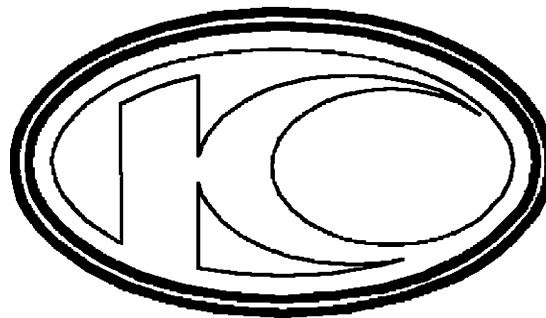
Sales mark	Ref no	Part no	Description	Reg description	Regd no	F21
**	87505	87505-KHC4-B00	LABEL TIRE	LABEL TIRE	1	
**	87541-KED5	87541-KED5-B00	CAUTION SIDE STAND	CAUTION SIDE STAND	1	
**	87541-KHC4	87541-KHC4-B00	LABEL OIL CAP	LABEL OIL CAP	1	
**	87542	87542-KED5-B00	MARK MAINT CAUTION	MARK MAINT CAUTION	1	
**	87560	87560-KUDU-B00	MARK DRIVE CAUTION	MARK DRIVE CAUTION	1	



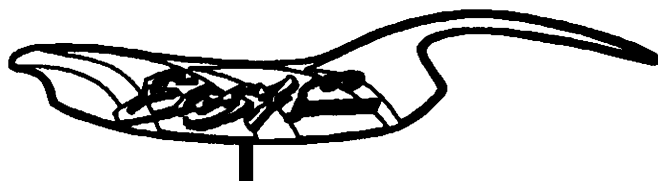
86202



86212



86102



86221



86231

Sales mark	Ref no	Part no	Description	Reg description	Regd no	F22
**	86102	86102-KFA2-900	EMB K-LOGO 20MM	EMB K-LOGO 20MM	1	
**	86202	86202-KHC4-900	EMB BODY COVER	EMB BODY COVER	2	
**	86212	86212-KHC3-B51	EMB B BODY COVER	EMB B BODY COVER	2	
**	86221	86221-KHC3-B00	STRIPE R BODY COVER	STRIPE R BODY COVER	1	
**	86231	86231-KHC3-B00	STRIPE L BODY COVER	STRIPE L BODY COVER	1	

PART NO. INDEX

PART NO.	VERSION	PAGE	PART NO.	VERSION	PAGE	PART NO.	VERSION	PAGE
1000			11000			11382-KHC4-800	0	E01
1028-054-7000	0	E09	11100-KHC4-305	0	E01	11383-KHC4-900	0	E01
1030-880-2103	0	E09	11100-LAE3-305	0	E01	11385-KGBG-900	0	E07
1052-862-2101	0	E09	11102-1G87-004	3	E01	11385-KHC4-900	2	E07
1090-873-2001	0	E09	11102-KHC4-B00	0	E01	11394-KHC4-900	1	E04
1190-A78-2102	0	E09	11103-KHC4-B00	0	E01	11395-KHC4-B50	1	E01
1201-830-2101	0	E09	11104-KHC4-B10	0	E01	12000		
1229-805-7000	0	E09	11192-KHC4-900	0	E01	12100-KHC4-900	0	E03
1230-850-2000	0	E09	11200-KHC4-B00	6	E01	12191-KHC4-900	0	E03
1230-851-2001	0	E09	11203-GGC7-301	2	E01	12200-KHC4-B00	1	E02
1230-856-7001	0	E09	11203-KHG8-301	2	E08	12209-GDB4-68A	0	E02
1290-996-2000	0	E09	11204-KNBN-901	0	E01	12211-KUDU-900	4	E02
1290-A07-2000	0	E09	11205-GHAH-004	0	E01	12251-KHC4-900	0	E02
1290-A27-2000	0	E09	11205-KNBN-901	0	E01	12310-KHC4-B00	1	E02
1402-910-2201	0	E09	11206-KHC4-B00	0	E06	12361-GFY6-901	1	E04
			11207-KHC4-800	0	E01	12391-GFY6-941	0	E02
4000			11208-KHC4-800	1	E07	13000		
4000-160-0001	0	E09	11211-KHC5-900	1	F12	13000-KHC4-900	7	E03
4115-803-1100	0	E09	11221-KHC4-900	2	E05	13011-GFF6-90B	0	E03
4115-804-1100	0	E09	11330-LAB4-900	5	E04	13101-KHC4-900	3	E03
			11341-KHC4-B00	1	E01	13111-0G87-001	3	E03
			11342-KHC4-B00	0	E01	13115-0A01-001	0	E03
			11342-LAB4-900	1	E01			
			11381-KHC4-900	0	E01			

PART NO. INDEX

PART NO.	VERSION	PAGE	PART NO.	VERSION	PAGE	PART NO.	VERSION	PAGE		
14000			15141-GFY6-90C	1	E06	17216-KHC4-900	0	F12		
			15421-1G07-001	1	E04	1721A-KHC4-900	1	F11		
			15426-GAE1-921	0	E04	1723A-KHC4-B00	0	F12		
	14100-KHC4-220	1	E02	1565A-GFY6-900	0	E04	1723C-KHC4-900	0	F12	
	14401-KHC4-900	0	E03	15711-GFY6-901	0	E06	17254-KACA-P00	0	F12	
	14431-GFY6-901	5	E02	16000			17255-KGBG-900	1	F12	
	14450-GFY6-901	0	E02		17256-KGBG-900	0	E02			
	14452-GFY6-901	0	E02		1736A-GFY6-900	1	F12			
	14510-KHC4-900	1	E03		1610K-KHC4-B50	4	E09	17370-4K19-701	0	F12
	14520-GFY6-90A	1	E03		16162-KG8-9010-M1	0	E09	17371-1D74-671	0	F12
	14523-GFY6-901	0	E03		16199-GFY6-900	0	E09	17502-KHC4-900	1	F09
	14531-GLR0-001	1	E03		16201-KHC4-900	0	E02	17504-KHC5-E00	0	F09
	14610-KHC4-900	0	E03		16211-KHC4-900	0	E02	17510-KHC4-900	5	F09
	14711-KHC4-900	1	E02		16700-GKAK-220	1	F09	17510-KHC4-910	0	F09
	14721-KHC4-900	1	E02		1691A-GFY6-90A	3	F09	17520-KHC4-900	4	F09
	14751-KFBF-900	1	E02	1691A-GFY6-90B	2	F09	17550-KHC4-900	0	F09	
	14761-KFBF-900	1	E02	17000			17620-KHC5-E00	1	F09	
14771-GDB4-680	2	E02	17620-KHC5-E0B		1	F09				
14775-MFA6-001	0	E02	17623-KHC4-90A		6	F04				
14781-MFA6-001	0	E02	17623-KHC4-90A		6	F09				
15000			1711A-KHC4-B00		0	E02	17623-KHC4-90B	1	F04	
			17207-KHC4-B00		0	F12	17623-KHC4-90B	1	F09	
			17208-GAR1-011		0	F12	17683-KHC4-900	0	F09	
			17212-KHC4-900		0	F12	17684-KHC4-900	1	F09	
	15100-GFY6-901	2	E06		17214-KHC4-900	1	F11	17685-KHC4-900	4	F09
	15133-GFY6-901	0	E06		17215-KGBG-90A	2	F12	17686-KHC4-900	1	F09
	15141-GFY6-90B	0	E06	17215-KNBN-200	0	F19				

PART NO. INDEX

PART NO.	VERSION	PAGE	PART NO.	VERSION	PAGE	PART NO.	VERSION	PAGE
17689-KHC5-E00	0	F09	1963A-KHC4-900	2	E07	23200-GCW3-001	0	E05
17910-KHC4-900	3	F03				23220-KHC4-900	1	E05
18000			21000			23225-GCW3-001	0	E05
			21200-KFA3-305	5	E08	23226-GCW3-001	0	E05
18291-KEBE-900	0	F13	21395-KNBN-901	1	E08	23233-KED5-900	0	E05
18291-LBD4-900	2	F13				23237-GCW3-001	0	E05
18292-KEBE-900	0	F13	22000			23239-GCW3-851	0	E05
18293-KEBE-900	0	F13				23411-KHC4-900	0	E08
18294-KEBE-900	0	F13	22100-KNBN-902	0	E05	23420-KHC4-900	4	E08
1830A-KHC4-B00	1	F13	22102-KHC4-900	2	E05	23431-KDLD-901	2	E08
18318-KHC4-B00	0	F13	22105-KHC4-900	1	E05	23432-KNBN-901	3	E08
19000			22110-KHC4-900	1	E05	28000		
			22121-GHT8-602	1	E05			
			22131-GCW3-901	1	E05	28101-KNBN-901	0	E06
19410-KHC4-800	1	F19	22132-LAB4-900	1	E05	28105-KNBN-901	1	E06
19410-KHC4-900	0	F19	22300-KHC4-900	0	E05	2811A-KNBN-940	0	E06
19411-KBCB-900	0	F09	22350-KHC4-900	0	E05	28120-KNBN-901	0	E06
19411-KHC4-900	0	F09	22401-KED5-900	0	E05	28125-3C23-001	0	E06
19411-KNBN-900	1	F19	22530-KHC4-900	1	E05	28126-KNBN-901	0	E06
19412-KHC4-900	0	F19	22804-1H48-001	0	E05	28127-KNBN-901	0	E06
19510-GBW2-901	6	E07				28211-KNBN-901	0	E05
1961A-LAB4-B50	1	E07	23000			28223-KNBN-901	0	E01
19625-KHC4-900	0	E07				28230-KNBN-901	0	E01
1962A-KHC4-900	1	E07	2301A-KHC4-900	1	E05	28250-KNBN-901	1	E01
19633-GFY6-901	0	E07	23100-KHC4-900	1	E05	28253-GBN2-60A	0	E01

PART NO. INDEX

PART NO.	VERSION	PAGE	PART NO.	VERSION	PAGE	PART NO.	VERSION	PAGE
28255-GFS6-001	0	E01						
28281-GBN2-60A	1	E01	32000			34000		
28300-KNBN-901	3	F14						
30000			32100-KHC4-900	12	F18	34901-KYBY-900	0	F01
			32120-1E55-001	0	F18	34905-KHC4-900	0	F16
						34905-KHC4-900	0	F17
30400-KHC4-900	1	F18	33000			34906-2H68-601	0	F17
30400-KHC4-90A	5	F18				34908-GGA7-70A	1	F16
3051A-KHC4-900	1	F18	33100-KHC4-900	3	F01	34908-MKB9-87A	0	F02
30700-GFY6-901	1	F18	33120-KHC4-900	1	F01	34909-KEBE-900	0	F02
31000			33130-KHC4-900	2	F01			
			33400-KHC3-900	3	F16	35000		
			33402-KHC3-900	1	F16			
31009-GAR1-900	0	F20	33403-KHC3-900	0	F16	35010-KHC4-B0A	0	F18
31110-KHC4-90A	1	E07	33406-KHC4-900	0	F16	35010-KHC4-B0B	0	F18
31110-KHC4-90B	1	E07	33450-KHC3-900	3	F16	35101-KHC4-305	5	F18
31110-KHC4-90C	1	E07	33452-KHC3-900	1	F16	35101-KHC4-305-M2	0	F18
31120-KGBG-90A	2	E07	33453-KHC3-900	0	F16	35102-KHC4-900	2	F18
31120-KGBG-90B	2	E07	33456-KHC4-900	0	F16	35102-KHC4-90B	1	F18
31120-KGBG-90C	0	E07	33500-KHC4-910	0	F16	35106-KHC4-305-M1	1	F03
31200-KHC4-900	3	E06	33501-KHC4-900	0	F16	35106-KHC4-305-M2	1	F03
31200-KHC4-90B	0	E06	33700-KHC4-900	3	F17	35150-GFY6-900	4	F03
31203-KHC4-900	3	E06	33701-KHC4-900	0	F17	35160-GGS7-900	1	F03
31500-KNBN-92A	5	F10	33705-KHC4-900	0	F17	35170-GGS7-900	0	F03
31500-KNBN-92B	7	F10	33741-KEBE-900	0	F17	35180-GGS7-900	1	F03
31600-KUDU-900	2	F18				35200-GFY6-910	1	F03

PART NO. INDEX

PART NO.	VERSION	PAGE	PART NO.	VERSION	PAGE	PART NO.	VERSION	PAGE
35340-GBN2-770	3	F03	42705-KHC4-900	5	F07	44805-GGC7-004	4	F06
35340-KKJ9-010	5	F03	42753-0D04-900	1	F06	44806-GGC7-004	2	F06
35400-KEE1-900	0	F18	42753-0D04-900	1	F07	44807-0A01-004	1	F06
37000			43000			44809-1L70-004	1	F06
37200-KHC4-B0A	2	F02	4312A-KXCX-900	8	F06	44830-KHC4-800	3	F02
37200-KHC4-B0B	2	F02	4312A-LBC6-900	2	F07	44831-KHC4-800	3	F02
37211-KHC4-90A	0	F02	43141-4L00-011	1	F06	45000		
37211-KHC4-90B	0	F02	43141-GKAK-901	3	F07	45000-GLW0-305	0	F06
37801-GGA7-701	1	F09	43410-KFA1-900	0	F07	45133-0H28-001	1	F06
37801-LAB4-910	1	F09	43450-KHC4-B00	0	F03	45133-0H28-001	1	F07
37802-KEC8-900	0	F09	43472-1A61-001	2	F03	45134-2L50-001	0	F06
3780A-KHC4-900	3	F09				45145-0F96-651	2	F06
3780A-KHC4-910	1	F09	44000			45410-GBB2-001	1	F06
38000			44301-KBE2-981	5	F06	45435-GBB2-721	1	F06
			44311-GLW0-901	0	F06	45450-KFA2-900	1	F03
38110-KFA1-80A	1	F18	44610-GLW0-305	2	F06	45465-KFB5-900	0	F05
38110-KFA1-80B	1	F18	44620-GHC8-001	1	F06	45517-GFY6-900	5	F03
38300-KECE-900	2	F18	44705-KHC4-900	2	F06	50000		
38500-KKDK-900	4	F18	44710-KFA1-90B	2	F06	50100-KHC3-B51	2	F19
42000			44710-KFA1-90B	2	F07	50100-KHC4-B00	5	F19
			44710-KHC3-B50	0	F06	50137-KHC4-900	0	F09
			44710-KHC3-B50	0	F07	50139-KHC4-900	1	F09
42610-GKAK-901	4	F07	44803-GFY6-90A	0	F06			

PART NO. INDEX

PART NO.	VERSION	PAGE	PART NO.	VERSION	PAGE	PART NO.	VERSION	PAGE
50140-KHC4-900	0	F09				53168-KFA1-900	1	F03
50172-KHC4-900	1	F17	51000			53170-KHC3-900	0	F03
50301-GLM0-001	0	F19				53172-KHC4-900	0	F03
50305-GHC8-004	0	F19	51400-KHC3-900	1	F05	53175-KHC3-900	0	F03
50306-1F96-001	0	F05	51401-KHC4-900	0	F20	53178-KHC4-900	0	F03
50325-KHC4-900	4	F10	51409-KFA2-900	0	F05	5317A-KHC4-900	1	F03
50326-KHC4-900	2	F10	51410-KNBN-900	0	F20	5317B-KHC3-900	1	F03
50328-KNBN-200	0	F10	51412-KFA1-900	0	F20	53200-KFA2-900	5	F05
50350-KHC4-900	5	F19	51421-KCLC-900	0	F20	53205-KHC3-900	1	F03
50352-KHC4-900	1	F19	51421-KCLC-900	2	F20	53206-KHC4-900	2	F03
50353-KHC4-900	1	F19	51429-LAB4-900	0	F20	53211-GFY6-940	1	F05
50358-KHC4-900	1	F19	51432-KFA1-900	0	F20	53212-GHC8-004	1	F05
50503-KGBG-900	1	F14	5150A-KHC3-900	1	F05			
50505-GAR1-711	0	F14	51521-KCLC-900	0	F20	61000		
5050A-KHC4-B00	0	F14	51521-KCLC-900	5	F20			
50530-KHC4-900	3	F14				61110-KFA2-900	1	F05
50531-KHC4-900	0	F14	52000			61120-KFA2-900	0	F05
50611-KHC4-900	2	F19						
50612-KHC4-900	2	F19	52400-KHC4-900	1	F15	64000		
50613-KHC4-900	3	F19						
50713-KEB7-900	0	F19	53000			64201-KHE1-B50	0	F04
50715-KEB7-900	0	F19				64301-KHC3-B00	0	F04
5071A-LLF5-900	4	F19	53100-KHC4-900	3	F03	64302-KHC3-900	1	F04
5071B-LLF5-900	4	F19	53140-KHC4-900	1	F03	64310-KHC4-900	0	F04
			53166-KFA1-900	2	F03	64315-KHC3-B50	4	F19
			53167-KFA1-900	0	F03	64316-KHC4-900	1	F04

PART NO. INDEX

PART NO.	VERSION	PAGE	PART NO.	VERSION	PAGE	PART NO.	VERSION	PAGE
77000			81142-KUDU-900	1	F04	87541-KED5-B00	0	F21
			81200-KHC3-B51	2	F11	87541-KHC4-B00	1	F21
			81251-LAB4-900	3	F11	87542-KED5-B00	0	F21
77200-KHC4-B00	2	F08	81260-LDC1-900	3	F11	87560-KUDU-B00	0	F21
77200-KHC4-B50	1	F08				87560-KUDU-B00	2	F21
77201-GFS6-001	0	F11	83000					
77235-KHC4-900	2	F08				88000		
77240-KHC4-900	1	F11	83500-KHC4-900	0	F11			
77303-KHC4-900	0	F08	83501-KHC4-900	2	F11	88110-KFA1-900	3	F03
80000			83502-KHC4-900	2	F11	88110-KFA1-B00	1	F03
			83503-KHC4-900	2	F11	88110-KHC3-900	1	F03
			83600-KHC3-900	0	F11	88120-KFA1-900	3	F03
80100-KHC4-800	1	F17	83601-KHC4-900	2	F11	88120-KFA1-B00	1	F03
80106-KHC4-900	2	F17	83605-KHC4-900	0	F11	88120-KHC3-900	1	F03
80151-KHC4-900	1	F11						
81000			86000			89000		
			86102-KFA2-900	6	F22	89010-KGBG-900	0	F08
81131-KHC4-900	2	F04	86202-KHC4-900	0	F22			
81132-GHAH-001	2	F04	86212-KHC3-B51	1	F22	90000		
81133-KGBG-900	0	F11	86221-KHC3-B00	0	F22			
81133-KNBN-901	0	F04	86231-KHC3-B00	0	F22	90001-GBHB-661	1	E03
81134-KGBG-900	2	F11				90005-KAW1-901	1	E03
81135-KGBG-900	2	F11	87000			90012-3C33-001	0	E02
81141-KHC4-900	5	F04				90021-GFY6-900	2	F13
81142-KCLC-900	0	F05	87505-KHC4-B00	1	F21	90031-KHC4-900	0	E01

PART NO. INDEX

PART NO.	VERSION	PAGE	PART NO.	VERSION	PAGE	PART NO.	VERSION	PAGE
90032-KHC4-900	0	E01	90302-GBR2-001	1	F09	90601-GAR1-900	0	F20
90033-GFY6-900	0	E02	90302-GFY6-901	1	F09	90602-PDX4-001	0	E06
90101-0G87-721	2	F11	90302-GFY6-901	1	F17	90603-0D44-001	0	E05
90101-GAR1-001	0	F01	90302-SDA4-004	2	F11	90656-GFY6-911	0	F03
90101-KGC4-E00	1	F08	90304-GHE8-004	0	F03	90656-GFY6-911	0	F11
90105-GFS6-001	0	F11	90304-GHE8-004	0	F19	90656-GFY6-911	0	F18
90105-KHC4-900	1	F19	90305-GHK8-001	1	E07	90741-0E35-001	0	E03
90105-KKAK-900	2	F11	90305-GHK8-001	1	F11	90754-GHC8-00A	1	F06
90106-KKC4-900	0	F11	90305-KNBN-90B	0	F07	90912-GHC8-00A	0	F06
90108-GFY6-901	0	F14	90306-KLF0-004-SY	1	F06	90912-GHC8-00D	0	F06
90110-GLW0-001	0	F04	90307-GFJ6-004	0	F01			
90110-KFA6-900	0	F13	90309-GLW0-90A	1	F06	91000		
90110-KHG8-901	1	F06	90309-GLW0-90A	1	F07			
90110-KHG8-901	1	F07	90309-KLF0-004-SY	1	E08	91001-GGA7-70A	2	E05
90111-1G87-001	1	F11	90381-GEZ5-001	1	F11	91002-GFY6-90A	0	E03
90112-GCC3-001	1	F05	90412-3K29-001	0	E01	91002-GFY6-90B	0	E03
90112-KCLC-900	0	F05	90429-KNBN-901	0	E08	91004-KBN2-90A	0	E08
90112-KRDR-900	0	F18	90442-0D44-001	0	E05	91005-KNBN-901	0	E06
90115-GLE0-001	0	F03	90451-1G07-001	1	E08	91009-GLE0-004	1	E08
90116-3C83-72A	0	F20	90451-GBN2-601	0	E01	91101-KNBN-901	0	E06
90164-KGBG-900	1	F11	90465-MDC4-001	0	E02	91103-GAR1-004	0	E05
90164-MDR4-901	0	F04	90488-7L00-001	0	E01	91103-GAR1-00A	0	E05
90201-KNBN-901	0	E06	90501-KNBN-901	0	F07	91106-KHC4-90A	0	E01
90206-0A01-001	1	E02	90502-MBS2-001	0	E06	91106-KHC4-90B	0	E01
90301-6D34-671	1	F17	9052A-GFY6-950	1	E01	91202-GFY6-90A	1	E01
90301-GFY6-901	2	F13	90554-2C83-001	0	F20	91202-GFY6-90A	1	E04

PART NO. INDEX

PART NO.	VERSION	PAGE	PART NO.	VERSION	PAGE	PART NO.	VERSION	PAGE
91202-GFY6-90B	1	E01				93903-34360	0	F16
91202-GFY6-90B	1	E04	93000			93903-34460	0	F11
91202-KKJ9-004	0	E01				93903-35320	0	F02
91211-GHK8-014	1	E05	93404-06016-06	0	F04	93903-35360	0	F04
91251-GHC8-004	0	F06	93404-06016-06	0	F10	93903-GFY6-900	1	F04
91251-LAB4-900	0	F20	93404-06016-06	0	F19	93903-GFY6-900	1	F11
91255-GLE0-006	0	E08	93404-06025-06	0	F12	93904-35380	0	E07
91256-GAC1-004	0	F06	93500-04008-1H-3	0	E09			
91301-0C53-001	0	E08	93500-04010-1H	0	E09	94000		
91301-GLR0-005	1	E03	93500-04012-1H	0	E09			
91302-0A01-021	0	E04	93500-04025-0A	0	F12	94001-05080-0S	0	F03
91304-KHC4-900	0	E02	93500-05016-0H	0	F19	94050-05060	0	F17
91305-0H28-159	0	E02	93500-05022-06	0	F03	94050-06080	0	E02
91306-1E05-691	0	E03	93700-05018-0H	0	F02	94050-06080	0	E06
91307-0E35-001	0	E04	93891-05010-08	0	F12	94050-06080	0	F06
91351-6B42-000	0	E05	93891-05012-06	0	F03	94050-06080	0	F08
91351-GAR1-001	0	E05	93891-05012-06	0	F10	94050-06080	0	F09
91352-KHG8-83B	0	F07	93891-06016-06	0	F05	94050-06080	0	F17
			93891-06016-06	0	F11	94050-06080	0	F18
92000			93892-04008-18	0	E09	94050-06080	0	F19
			93901-32310	0	F16	94050-08080	0	E02
92101-05012-0H	0	E07	93903-25460	0	F12	94050-10080	0	E05
92900-06050-0B	0	E02	93903-25580	0	F12	94050-10080	0	E07
			93903-34360	0	F03	94050-12080	0	E05
			93903-34360	0	F04	94101-06000	0	F19
			93903-34360	0	F11	94101-08600	0	F14

PART NO. INDEX

PART NO.	VERSION	PAGE	PART NO.	VERSION	PAGE	PART NO.	VERSION	PAGE
94101-10800	0	F03	95014-72204	0	F14	95801-10040-08	0	F03
94251-08400	0	F14	95015-32001	0	F03	95801-10070-08	0	F19
94251-08400	0	F19	95015-42000	0	F03			
94301-08140	0	E01	95701-06012-08	0	F05	96000		
94301-08140	0	E04	95701-06012-08	0	F08			
94301-10160	0	E02	95701-06012-08	0	F11	96001-06012-08	0	E01
94301-10160	0	E03	95701-06012-08	0	F17	96001-06012-08	0	E05
94301-10200	0	E08	95701-06012-08	0	F18	96001-06012-08	0	E06
94510-20000	0	E08	95701-06012-08	0	F19	96001-06012-08	0	E07
94511-14000	0	E01	95701-06014-08	0	F09	96001-06016-08	0	E07
94520-24000	1	E05	95701-06022-06	1	F14	96001-06020-08	0	E07
94605-KFA1-900	0	F20	95701-06025-08	0	E02	96001-06025-06	0	F03
94608-40000	0	F20	95701-06028-08	0	F06	96001-06025-08	0	E06
			95701-06032-08	0	F07	96001-06025-08	0	E07
95000			95701-06032-08	0	F12	96001-06028-08	0	E01
			95701-06035-08	0	E02	96001-06035-08	0	E01
95002-02070	0	E09	95701-06050-08	0	E02	96001-06045-08	0	E01
95002-02070	0	F09	95701-08012-08	0	E01	96001-06085-06	0	E04
95002-02080	0	F09	95701-08025-08	0	F18	96001-06095-08	0	E02
95002-02080	0	F12	95701-08045-08	0	E01	96001-06100-08	0	E04
95002-02100	0	F09	95701-08060-08	0	E01	96001-GFY6-900	1	E01
95002-02120	1	F09	95801-06045-08	0	F19	96100-62033-00	0	E01
95002-02120	1	F12	95801-08035-08	0	F15	96100-62043-00	0	E01
95002-02130	0	F12	95801-08040-08	0	F05	96211-05000	0	F05
95002-50000	0	F09	95801-08042-06	0	F13	96211-08000	0	F19
95014-71402	0	F14	95801-10035-08	0	F15	96220-60100	0	E06

PART NO. INDEX

PART NO.	VERSION	PAGE	PART NO.	VERSION	PAGE	PART NO.	VERSION	PAGE
96600-06012-10	0	E06						
98000			W					
			W1470-MW0-7500	0	E09			
98056-57713-00	1	E02	W9353-36000	0	E09			
98200-10700	0	F10	W9525-25250	0	E09			
98200-10700	0	F18						
99000			Y					
			Y1901-001-3500	0	E09			
99101-116-0900	0	E09	Y1901-002-0100	0	E09			
K			Z					
K446-A31-0100	0	E09	Z062-0060	0	E09			
N								
N413-18C00	0	E09						
N423-09A35	0	E09						
N425-4HLLN	0	E09						
N426-33C00	0	E09						
S								
S7860-112-B000	0	E09						